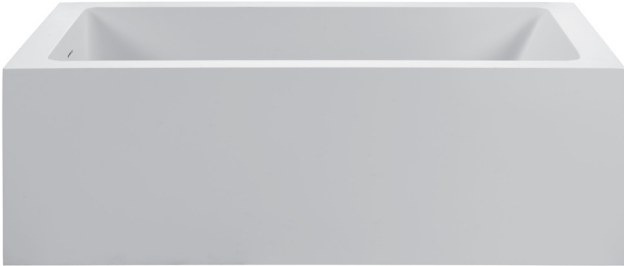
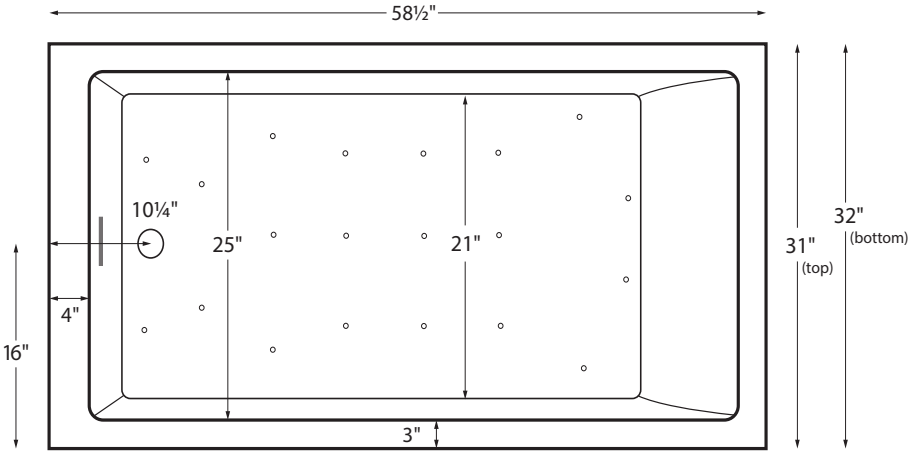


Maddux

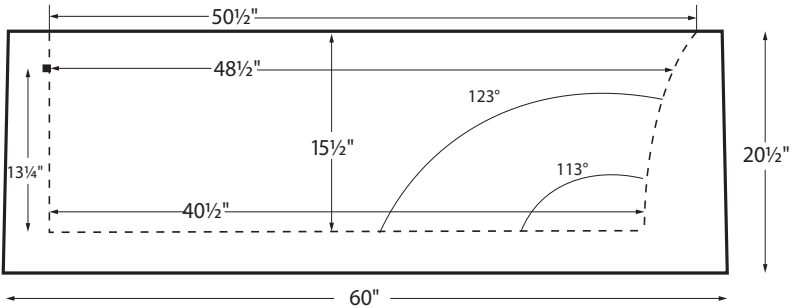


Features an integrated overflow.

MODEL 162
60" x 32" x 20.5"
FREESTANDING 63 gal to overflow
<b>SculptureStone®</b>
450 lbs / 204 kg soaker 480 lbs / 218 kg airbath
May also be undermounted. Must specify on order. Not recommended as a tub / shower combination.  Filling this tub to the maximum may require an above average size or dedicated water heater.



Shown above as an Air Bath.



ELECTRICAL COMPONENTS & SPECIFICATIONS		
Required Electrical Service - 110 Volt		
Hydrotherapy Package	Components Included	GFCI
Air Massage	heated blower	1-15 amp
Electrical requirements may change with the addition of optional therapy components. See specific option details or installation information. CSA Certified C/US; ANSI Z124.1 and ANSI 112.19.7 and ANSI 112.19.7		

See the Installation & Operation Manual for more details.  
MTI's Customer Service: Monday-Friday 8am-6pm EST  
800-783-8827 or service@mtibaths.com

**IMPORTANT ORDERING & INSTALLATION INFORMATION**

- Before ordering or installing, please consider future access to equipment.
- Comes standard as freestanding version. May be ordered with 1, 2 or 3 sides for alcove or other installation types.
- Optional factory-installed tile flange available to ensure watertight seal for alcove or other installation types. Must specify left- or right-hand drain on order.
- Includes an integrated overflow with toe tap drain in chrome finish. May be specified without an overflow (see local codes before ordering without an overflow).
- Air baths require job site preparation for remote installation of the blower and required check valve. Check valve must be installed higher than the rim of the tub.
- Waterproof remote control included with air bath. Keypad shipped loose may be remote mounted on nearby surface/wall.
- Faucet valves cannot be mounted on this tub model.

• Before discarding tub crate, check for accessories that may be packaged inside.  
• All product measurements are ±1/2".  
• Specifications and configurations are subject to change without notice.  
• Measurements herein supersede all others published prior to publication date below.



For more information on options and accessories go to SculptureStone® Tubs Options on mtibaths.com

**Maddux**  
 MODEL #: 162  
 60" x 32" x 20.5"

- Blower & required check valve for airbath must be remote mounted.
- Check valve must be installed higher than the rim of the tub.
- See the Installation & Operation Manual for more details.

Hydrotherapy	Package Contents	Part #	Finish	MSRP
Soaker	Soaking bath - no jets. Includes an integrated slotted overflow with a toe-tap drain kit.	S162	soft matte	\$10,970
		S162GL	hand-polished gloss	\$12,235
Air Bath	20 air jets, heated air blower, keypad, waterproof remote control integrated slotted overflow with a toe-tap drain kit.	AST162	soft matte	\$16,245
		AST162GL	hand-polished gloss	\$17,510

**Options** *Must be ordered at time of purchase*

**Quick Ship** (QSPRI2) **\$1,055** reduces lead time  
*Please call for availability*

**Standard Color** White  
**Biscuit Color Upgrade** (SSBI) **\$320**  
*Additional material colors available for projects only. Please call MTI.*

**Accessories**

**Teak Bath Mat** (TKMAT3018) **\$840** Measures 30" x 17.5" x 1"  
*Custom sizes also available. Contact MTI for details.*

**SculptureStone® Tub Tray**  
 No Stemware Holder (SSTRAY1) **\$350** matte (SSTRAY1GL) gloss **\$350**  
 With Stemware Holder (SSTRAY2) **\$465** matte (SSTRAY2GL) gloss **\$465**  
*Order with tub for best color match*

**Teak Tub Tray**  
 Slatted (TK-TRAY1) **\$515** Solid (TK-TRAY2) **\$585**  
*Order with tub for best fit*

**Boutique Accessories**  
 Packaging / Handling Fee Applies

**SculptureStone® Bathroom Table** (TABLE) **\$850** matte finish  
 (TABLEGL) **\$1,295** gloss finish  
*Order with tub for best color match*

**SculptureStone® Standard Faucet Stand**

Small - 3-hole capacity <b>14¼" w x 20½" h</b>	Large - 5-hole capacity <b>22" w x 21½" h</b>
Matte (STAND) <b>\$745</b>	Matte (STANDL) <b>\$880</b>
Gloss (STANDGL) <b>\$1,190</b>	Gloss (STANDLGL) <b>\$1,325</b>

**SculptureStone® Premium Faucet Stand**

<b>15" w x 39" h</b>	<b>10" w x 39" h</b>
Matte (SSFSR3915MT) <b>\$2,435</b>	Matte (SSFSR3910MT) <b>\$2,200</b>
Gloss (SSFSR3915GL) <b>\$2,800</b>	Gloss (SSFSR3910GL) <b>\$2,600</b>
<b>20" w x 23" h</b>	<b>15" w x 23" h</b>
Matte (SSFSR2320MT) <b>\$1,990</b>	Matte (SSFSR2315MT) <b>\$1,880</b>
Gloss (SSFSR2320GL) <b>\$2,385</b>	Gloss (SSFSR2315GL) <b>\$2,245</b>

**Drains & Overflow Kits** *Must be ordered at time of purchase*

**Toe Tap Drain Cover Finishes**  
 PVC drain - Chrome included  
 +\$50 upcharge Br. Nickel (WIOBN), Pol. Nickel (WIOPN)  
 +\$90 upcharge Matte Black (WIOMB)  
 +\$110 upcharge Oil-Rubbed Bronze+ (WIOOR)  
 +\$660 upcharge Special Finish\* (WIOSF)  
*Send finish sample to MTI Baths for best match.*

**Toe Tap SculptureStone® Drain Cover Finishes**  
 Upgrade is in lieu of standard chrome to tap drain cover.  
 White only  
 +\$95 upcharge Matte Finish (SSWIOMT)  
 +\$115 upcharge Gloss Finish (SSWIOGL)  
**Brass Tailpiece** (WIOBS) **\$90** in addition to finish charge listed above  
**Quick Drain Kit** (WOQ) **\$485**

\* MTI has selected an oil-rubbed bronze finish that is compatible with Delta and many other manufacturers. To ensure best match, order as a Special Finish and submit a sample.  
 CSA # MTCT-162  
 ©2024 by MTI Baths, Inc. Modification Rights Reserved

\* Allow 2-4 weeks lead time for Special Finishes.  
 Send sample for best match.

