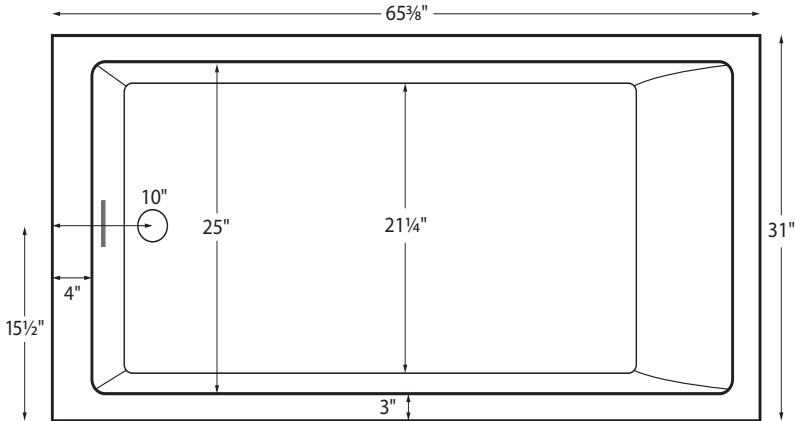


Maddux Drop-In

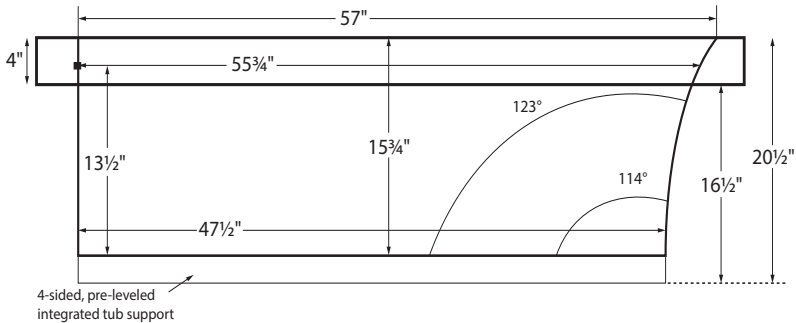


Features an integrated overflow.

<b>MODEL 161A</b>
<b>65.375" x 31" x 20.5"</b>
<b>DROP-IN</b> 90 gal to overflow
<b>SculptureStone®</b>
346 lbs / 157 kg soaker 376 lbs / 171 kg airbath
Not recommended as a tub / shower combination. Filling this tub to the maximum may require an above average size or dedicated water heater.



Shown above as a Soaker.



ELECTRICAL COMPONENTS & SPECIFICATIONS		
Required Electrical Service - 110 Volt		
Hydrotherapy Package	Components Included	GFCI
Air Massage	heated blower	1-15 amp
Electrical requirements may change with the addition of optional therapy components. See specific option details or installation information. CSA Certified C/US; ANSI Z124.1 and ANSI 112.19.7 and ANSI 112.19.7		

See the Installation & Operation Manual for more details.  
MTI's Customer Service: Monday-Friday 8am-6pm EST  
800-783-8827 or service@mtibaths.com

**IMPORTANT ORDERING & INSTALLATION INFORMATION**

- Before ordering or installing, please consider future access to equipment.
- Standard rim height on drop-in models is 4". Over 4" available upon request.
- Pre-leveled integral pedestal supports tub on a flat, level subfloor.
- Includes an integrated overflow with toe tap drain kit. May be specified without an overflow (see local codes before ordering without an overflow).
- Air baths require job site preparation for remote installation of the blower and required check valve. Check valve must be installed higher than the rim of the tub.
- Waterproof remote control included with air bath. Keypad shipped loose may be remote mounted on nearby surface/wall.
- Faucet valves cannot be mounted on this tub model.

• Before discarding tub crate, check for accessories that may be packaged inside.  
• All product measurements are ±1/2".  
• Specifications and configurations are subject to change without notice.  
• Measurements herein supersede all others published prior to publication date below.



For more information on options and accessories go to SculptureStone® Tubs Options on mtibaths.com

**Maddux Drop-In**  
 MODEL #: 161A  
 65.375" x 31" x 20.5"

- Blower & required check valve for airbath must be remote mounted.
- Check valve must be installed higher than the rim of the tub.
- See the Installation & Operation Manual for more details.

Hydrotherapy	Package Contents	Part #	Finish	MSRP
Soaker	Soaking bath - no jets. Includes an integrated slotted overflow with a toe-tap drain kit.	S161A	soft matte	\$10,815
		S161AGL	hand-polished gloss	\$11,690
Air Bath	20 air jets, heated air blower, keypad, waterproof remote control, integrated slotted overflow with a toe-tap drain kit.	AST161A	soft matte	\$16,090
		AST161AGL	hand-polished gloss	\$16,965

Options <i>Must be ordered at time of purchase</i>
<b>Quick Ship</b> (QSPRI2) <b>\$1,055</b> reduces lead time <i>Please call for availability</i>
<b>Standard Color</b> White <b>Biscuit Color Upgrade</b> (SSBI) <b>\$320</b> <i>Additional material colors available for projects only. Please call MTI.</i>
<b>Tile Flange</b> Factory Installed 1 Side (TFK1) <b>\$180</b> , 2 Side (TFK2) <b>\$195</b> , 3 Side (TFK3) <b>\$210</b> <i>Must specify flange location(s) upon ordering</i> Field Install Tile Flange Kit (TFKNI) <b>\$195</b> <i>Includes adhesive</i>

Boutique Accessories
<b>Packaging / Handling Fee Applies</b>
<b>SculptureStone® Bathroom Table</b> (TABLE) <b>\$850</b> matte finish (TABLEGL) <b>\$1,295</b> gloss finish <i>Order with tub for best color match</i>

Accessories
<b>Teak Bath Mat</b> (TKMAT3018) <b>\$840</b> Measures 30" x 17.5" x 1" <i>Custom sizes also available. Contact MTI for details.</i>
<b>SculptureStone® Tub Tray</b> No Stemware Holder (SSTRAY1) <b>\$350</b> matte (SSTRAY1GL) gloss <b>\$350</b> With Stemware Holder (SSTRAY2) <b>\$465</b> matte (SSTRAY2GL) gloss <b>\$465</b> <i>Order with tub for best color match</i>
<b>Teak Tub Tray</b> Slatted (TK-TRAY1) <b>\$515</b> Solid (TK-TRAY2) <b>\$585</b> <i>Order with tub for best fit</i>

**Drains & Overflow Kits** *Must be ordered at time of purchase*

Toe Tap Drain Cover Finishes
PVC drain - Chrome included
<b>+\$50</b> upcharge Br. Nickel (WIOBN), Pol. Nickel (WIOPN)
<b>+\$90</b> upcharge Matte Black (WIOBM)
<b>+\$110</b> upcharge Oil-Rubbed Bronze (WIOOR)
<b>+\$660</b> upcharge Special Finish* (WIOSF)
<i>Send finish sample to MTI Baths for best match.</i>

Toe Tap SculptureStone® Drain Cover Finishes
Upgrade is in lieu of standard chrome to tap drain cover. White only
<b>+\$95</b> upcharge Matte Finish (SSWIOMT)
<b>+\$115</b> upcharge Gloss Finish (SSWIOGL)
<b>Brass Tailpiece</b> (WIOBS) <b>\$90</b> in addition to finish charge listed above
<b>Quick Drain Kit</b> (WOQ) <b>\$485</b>

\* MTI has selected an oil-rubbed bronze finish that is compatible with Delta and many other manufacturers. To ensure best match, order as a Special Finish and submit a sample.

\* Allow 2-4 weeks lead time for Special Finishes. Send sample for best match.

