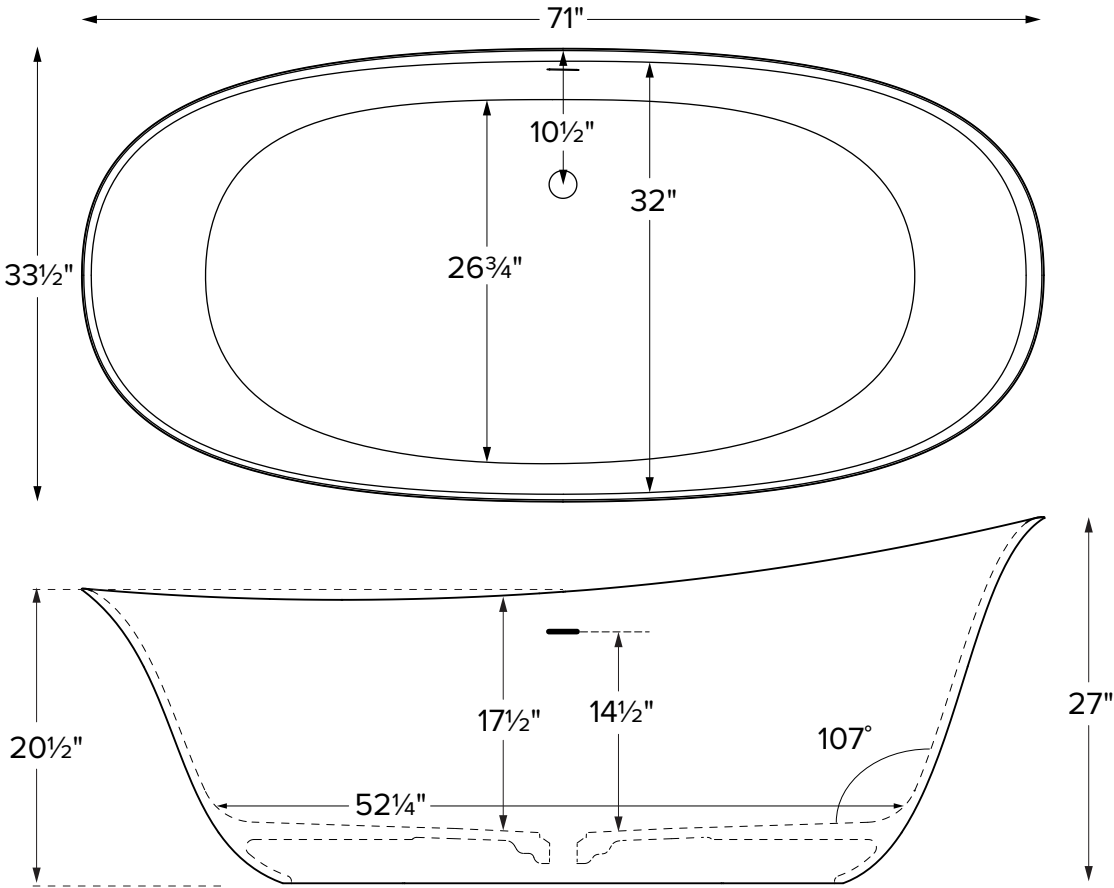


Lucia



Features an integrated overflow

|  |
|--|
| MODEL 156  |
| 71" x 33.5" x 20.5"  |
| FREESTANDING<br>81 gal to overflow   |
| <b>SculptureStone®</b>   |
| 295 lbs / 134 kg soaker  |
| Filling this tub to the maximum may require an above average size or dedicated water heater. |



| ELECTRICAL COMPONENTS & SPECIFICATIONS   |                     |          |
|--|---------------------|----------|
| Required Electrical Service - 110 Volt   |                     |          |
| Hydrotherapy Package   | Components Included | GFCI     |
| Airbath  | heated blower       | 1-15 amp |
| Electrical requirements may change with the addition of optional therapy components. See specific option details or installation information.<br>CSA Certified C/US; ANSI Z124.1 and ANSI 112.19.7 and ANSI 112.19.7 |                     |          |

See the Installation & Operation Manual for more details.  
 MTI's Customer Service: Monday-Friday 8am-6pm EST  
**800-783-8827** or [service@mtibaths.com](mailto:service@mtibaths.com)

**IMPORTANT ORDERING & INSTALLATION INFORMATION**

- Before ordering or installing, please consider future access to equipment.
- Includes an integrated overflow with toe tap drain in chrome finish. May be specified without an overflow (see local codes before ordering without an overflow).
- Airbaths require job site preparation for remote installation of the blower and required check valve. Check valve must be installed higher than the rim of the tub.
- Waterproof remote control included with airbath. Keypad shipped loose may be remote mounted on nearby surface/wall.
- Faucet valves cannot be mounted on this tub model.

• Before discarding tub crate, check for accessories that may be packaged inside.  
 • All product measurements are ±1/2".  
 • Specifications and configurations are subject to change without notice.  
 • Measurements herein supersede all others published prior to publication date below.



For more information on options and accessories go to SculptureStone® Tubs Options on mtibaths.com

Lucia  
MODEL # 156  
71" x 33.5" x 20.5"

- Blower & required check valve for airbath must be remote mounted.
- Check valve must be installed higher than the rim of the tub.
- See the Installation & Operation Manual for more details.

| Hydrotherapy | Package Contents   | Part #   | Finish              | MSRP     |
|--------------|--|----------|---------------------|----------|
| Soaker       | Soaking bath - no jets. Includes an integrated slotted overflow with a toe-tap drain kit.                                | S156     | soft matte          | \$8,445  |
|              |  | S156GL   | hand-polished gloss | \$9,565  |
| Airbath      | 20 air jets, heated air blower, keypad, waterproof remote control, integrated slotted overflow with a toe-tap drain kit. | AST156   | soft matte          | \$13,720 |
|              |  | AST156GL | hand-polished gloss | \$14,840 |

**Options** *Must be ordered at time of purchase*

**Quick Ship** (QSPRI2) **\$1,055** reduces lead time  
*Please call for availability*

**Standard Color** White  
**Biscuit Color Upgrade** (SSBI) **\$320**  
*Additional material colors available for projects only. Please call MTI.*

**Exterior Color** **\$1,815** (SSCOLTG) Gloss Finish (SSCOLTM) Matte Finish  
Must specify color code:  
Sapphire Blue (SB), Blue Lagoon (BL), Terracotta (TC),  
Onyx (OX), Stratus Gray (TG), Stormgray (SG)  
[Check mtibaths.com for current lead time](http://mtibaths.com)

**Accessories**

**Teak Bath Mat** (TKMAT3018) **\$840** Measures 30" x 17.5" x 1"  
*Custom sizes also available. Contact MTI for details.*

**Boutique Accessories**  
Packaging / Handling Fee Applies

**SculptureStone® Bathroom Table** (TABLE) **\$850** matte finish  
(TABLEGL) **\$1,295** gloss finish  
*Order with tub for best color match*

**SculptureStone® Standard Faucet Stand**

|   |  |
|---|--|
| Small - 3-hole capacity<br><b>14¼" w x 20½" h</b> | Large - 5-hole capacity<br><b>22" w x 21½" h</b> |
| Matte (STAND) <b>\$745</b>                        | Matte (STANDL) <b>\$880</b>                      |
| Gloss (STANDGL) <b>\$1,190</b>                    | Gloss (STANDLGL) <b>\$1,325</b>                  |

**SculptureStone® Premium Faucet Stand**

|                                    |                                    |
|------------------------------------|------------------------------------|
| <b>15" w x 39" h</b>               | <b>10" w x 39" h</b>               |
| Matte (SSFSR3915MT) <b>\$2,435</b> | Matte (SSFSR3910MT) <b>\$2,200</b> |
| Gloss (SSFSR3915GL) <b>\$2,800</b> | Gloss (SSFSR3910GL) <b>\$2,600</b> |
| <b>20" w x 23" h</b>               | <b>15" w x 23" h</b>               |
| Matte (SSFSR2320MT) <b>\$1,990</b> | Matte (SSFSR2315MT) <b>\$1,880</b> |
| Gloss (SSFSR2320GL) <b>\$2,385</b> | Gloss (SSFSR2315GL) <b>\$2,245</b> |

**Drains & Overflow Kits** *Must be ordered at time of purchase*

**Toe Tap Drain Cover Finishes**  
PVC drain - Chrome included  
+**\$50** upcharge Br. Nickel (WIOBN), Pol. Nickel (WIOPN)  
+**\$90** upcharge Matte Black (WIOBM)  
+**\$110** upcharge Oil-Rubbed Bronze (WIOOR)  
+**\$660** upcharge Special Finish\* (WIOSF)  
*Send finish sample to MTI Baths for best match.*

**Toe Tap SculptureStone® Drain Cover Finishes**  
Upgrade is in lieu of standard chrome to tap drain cover.  
White only  
+**\$95** upcharge Matte Finish (SSWIOMT)  
+**\$115** upcharge Gloss Finish (SSWIOGL)  
**Brass Tailpiece** (WIOBS) **\$90** in addition to finish charge listed above  
**Quick Drain Kit** (WOQ) **\$485**

\* MTI has selected an oil-rubbed bronze finish that is compatible with Delta and many other manufacturers. To ensure best match, order as a Special Finish and submit a sample.  
CSA # MTCT-156  
©2024 by MTI Baths, Inc. Modification Rights Reserved

\* Allow 2-4 weeks lead time for Special Finishes.  
Send sample for best match.

