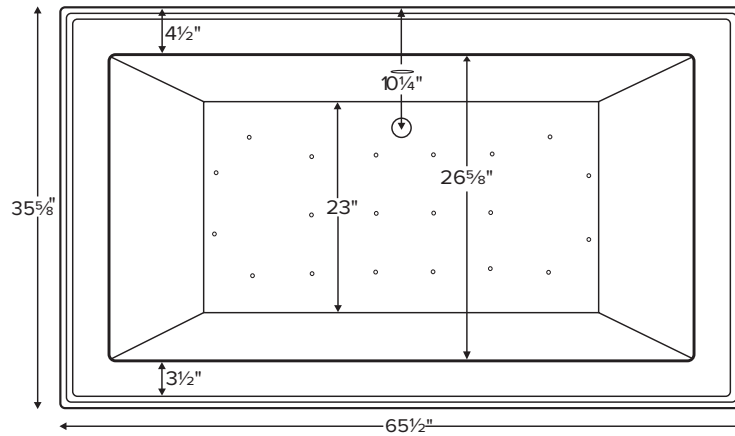


Madelyn 3



Shown with optional pedestal

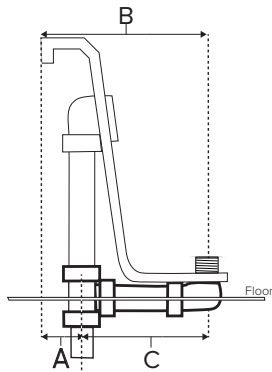
MODEL 136	
65.5" x 35.625" x 23.5" Optional pedestal: 56" x 25" x 2"	
FREESTANDING 80 gal to overflow	
Acrylic CXL®	DoloMatte®
155 lbs / 71 kg	<SOAKER> 174 lbs / 79 kg
Filling this tub to the maximum may require an above average size or dedicated water heater.	



IMPORTANT
Optional pedestal base ships attached to tub and must be ordered at time of purchase to ensure proper fit and finish.

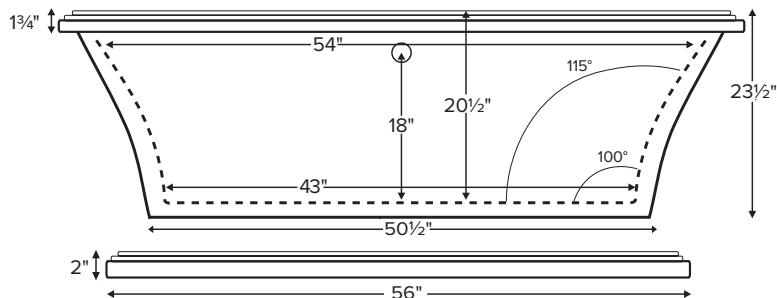
Drain Rough-In Measurements

A	B	C
3 1/2"	10 1/4"	6 3/4"



Requires use of a wall-mounted or freestanding tub filler.

Shown with Air Massage Package.



Optional one-piece pedestal base.

Access panel
9" x 16"



ELECTRICAL COMPONENTS & SPECIFICATIONS

Hydrotherapy Package	Components Included	110V GFCI
Air Massage	heated blower	1-15 amp
Air Massage Elite	heated blower, chromatherapy	1-15 amp

Electrical requirements may change with the addition of optional therapy components.
See specific option details or installation information.
CSA Certified C/US; B45.5/IAPMO ANSI Z124.1 and ANSI 112.19.7

See the Installation & Operation Manual for more details.
MTI's Customer Service: Monday-Friday 8am-6pm EST
800-783-8827 or service@mtibaths.com

- Before discarding tub packaging, check for accessories that may be packaged inside.
- All product measurements are ±1/2".
- Specifications and configurations are subject to change without notice.
- Measurements herein supersede all others published prior to publication date below.

IMPORTANT ORDERING & INSTALLATION INFORMATION:

- Before ordering or installing, please consider future access to equipment.
- Comes equipped with an access panel on the drain side for installation of waste and overflow.
- Optional pedestal ring does not increase the height of the tub.
- Air baths require job site preparations for remote mounting the blower.
- Hydrotherapy equipment may ship loose for remote installation depending on tub model. See package content on the following page for details.
- MTI will eliminate the access panel upon request. Installation will be more difficult.
- Radiance placed on floor locations will affect placement of air jets.
- Faucet valves cannot be installed on this tub model.
- All tubs are in accordance with CSA B45.5/IAPMO Z124 standard and compliant with ASTM C 1028-07 coefficient of friction. DoloMatte meets ANSI A137.1/A326.3 coefficient of friction and AS HB198:2014 pendulum slip resistance testing.



Madelyn 3

MODEL 136

65.5" x 35.625" x 23.5"

Hydrotherapy Packages	Package Contents	Acrylic CXL®		DoloMatte®	
		Part #	MSRP	Part #	MSRP
Soaker	Soaking bath - no jets; includes a pre-leveled foam base.	S136A	\$5,925	S136ADM	\$6,665
		With pedestal S136B	\$7,105	With pedestal S136BDM	\$7,940
Air Massage	20 air jets, heated air blower, pre-leveled foam base. Blower and control boxes must be remote located.	AST136A	\$9,310	AST136ADM	\$10,050
		With pedestal AST136B	\$10,490	With pedestal AST136BDM	\$11,325
Air Massage Elite	30 air jets, heated air blower, Chromatherapy LED lighting, Spa Mode, pre-leveled foam base. Blower and control boxes must be remote located.	AE136A	\$11,070	AE136ADM	\$11,810
		With pedestal AE136B	\$12,250	With pedestal AE136BDM	\$13,085

RECOMMENDED SENSORY THERAPIES

Chromatherapy

(LE) **\$840** underwater lighting
2 LED lights included

Audiotherapy

(STEREOBT) **\$1,460** 2 transducers
with bluetooth and amplifier
(BTREMOTE) **\$630** bluetooth remote

(STEREOH202) **\$1,655** 4 transducers
amplifier not included

Thermaltherapy

(RAD100) **\$1,675** Radiance®
2 heated zones included

Options <i>Must be ordered at time of purchase</i>
Standard Colors White (CWH) DoloMatte available in matte white only. Biscuit (CBS) Not available for DoloMatte.
Quick Ship reduces lead time (QSPRI) \$450 <i>Please call for availability</i>
Textured Bottom (TXTBTM) Acrylic CXL® only \$110 DoloMatte® exceeds ANSI A137.1/A326.3 and AS HB198 slip tests.
Virtual Spout high-flow integrated tub filler (FPMJ) \$475
Grab Bars from \$345 (1 set of 2) Grab bars are factory-installed to the left and right of the overflow. Go to Acrylic Tub Options on mtibaths.com for details before ordering. <i>Color and finish selections vary.</i>
Decorative Towel Bar Chrome (CHTOWEL) \$570 , Brushed Nickel (BNTOWEL) \$570

Accessories
Pillows from \$190
Teak Bath Mat (TKMAT3018) \$840 <i>Custom sizes also available. Contact MTI for details and pricing.</i>
Teak Tub Tray Slatted (TK-TRAY1) \$515 Solid (TK-TRAY2) \$585
Floor-Mounted High-Flow Tub Filler Contemporary Brushed Nickel (FILLBN) \$1,795
Faucet Stand SculptureStone® Standard Small 3-hole capacity 14¼" w x 21¾" h Matte (STAND) \$745 Large 5-hole capacity 22" w x 21¾" h Matte (STANDL) \$880 +\$420 gloss finish upcharge (SSGLOSSSNK)



Madelyn 3

MODEL 136

65.5" x 35.625" x 23.5"

Cable Driven

Turn the overflow knob clockwise to open the drain, then counterclockwise to close the drain.



- Drain Finishes - PVC Drain Kit**
 White/Bone/Biscuit (WOCDW) **\$460**
 Chrome (W OCD) **\$430**
 Brushed Nickel (WOCDBN) **\$515**
 Polished Nickel (WOCDPN) **\$565**
 Oil-Rubbed Bronze[†] (WOCBOR) **\$580**
 Polished Brass (WOCDBR) **\$725**
 Special Finishes* (WOCDSF) **\$1,190**

MTI does not offer a brass body cable drain kit.

Lift & Turn

Simple lift & turn to open. Lift, turn & release to close.



- Drain Finishes - PVC Drain Kit**
 Chrome (WOC) **\$195**
 White (WOW) **\$255**
 Brushed Nickel (WOBN) **\$320**

Toe Tap Push down on drain cover to open and close.



- Round Overflow - PVC Drain Kit**
 Chrome (WOTTC) **\$400**
 Brushed Nickel (WOTTBN) **\$405**
 Polished Nickel (WOTTPN) **\$405**
 Special Finishes* (WOTTSF) **\$1,200**



- Round Overflow - Solid Brass Drain**
 Chrome (WOTTSBC) **\$850**
 Brushed Nickel (WOTTSBBN) **\$850**
 Polished Nickel (WOTTSBPN) **\$850**



- Rectangular Overflow - PVC Drain Kit**
 Chrome (WOTRC) **\$495**
 Brushed Nickel (WOTRBN) **\$450**
 White (WOTRW) **\$550**

Rectangular Overflow kit must be specified when the tub is ordered.

Slim-Line Overflow with Toe Tap Drain

Sleek low profile overflow is factory-installed • Overflow measures 4.5" x 1"
 Provides a deeper soak • Not available for commercial applications



Must be specified when the tub is ordered.
Available for select Designer Collection tubs only.

Slim-Line Overflow with Toe-Tap PVC Drain

- Chrome (SLOT C) **\$525**
 Brushed Nickel (SLOTBN) **\$555**
 Polished Nickel (SLOT PN) **\$585**
 White (SLOTW) **\$450**



Slim-Line Overflow with Toe-Tap Solid Brass Drain

- Chrome (SLOTSBC) **\$975**
 Brushed Nickel (SLOTSBBN) **\$980**
 Polished Nickel (SLOTSBPN) **\$980**
 White (SLOTSBW) **\$1,015**

See individual tub specification sheets for availability.

* Allow 2-4 weeks lead time for Special Finishes.
 Send sample for best match.

[†]Oil Rubbed Bronze finishes vary among manufacturers.
 MTI has selected a finish that is compatible with many available.
 To ensure best match, order as a Special Finish and submit a sample.

NOTE:

MTI does not warrant drain kits or finishes, though drain kits may carry a direct factory warranty from the manufacturer. Proper drain installation is the responsibility of the installer. MTI's tub warranty does not cover drain leakage.

