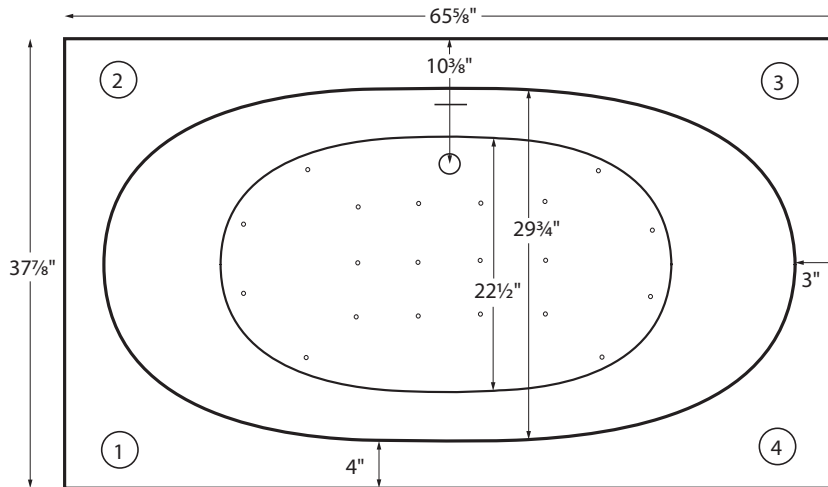


Akana

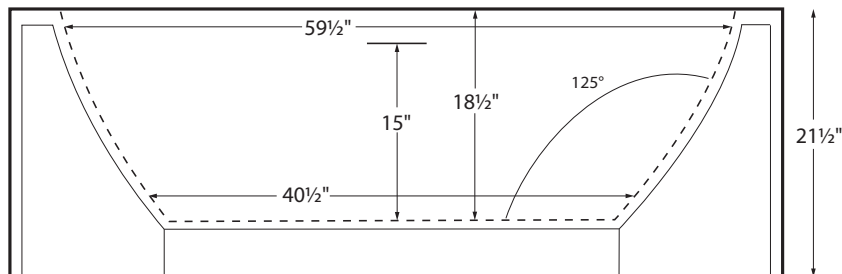


Features an integrated overflow.

MODEL 131
65.5" x 38" x 21.5"
FREESTANDING 71 gal to overflow
SculptureStone®
380 lbs / 172 kg soaker 410 lbs / 186 kg airbath
Filling this tub to the maximum may require an above average size or dedicated water heater.



Numbered locations on tub deck are possible locations to mount faucetry.



ELECTRICAL COMPONENTS & SPECIFICATIONS

Required Electrical Service - 110 Volt

Hydrotherapy Package	Components Included	GFCI
Air Massage	heated blower	1-15 amp

Electrical requirements may change with the addition of optional therapy components. See specific option details or installation information. CSA Certified C/US; ANSI Z124.1 and ANSI 112.19.7 and ANSI 112.19.7

See the Installation & Operation Manual for more details. MTI's Customer Service: Monday-Friday 8am-6pm EST **800-783-8827** or service@mtibaths.com

IMPORTANT ORDERING & INSTALLATION INFORMATION

- Before ordering or installing, please consider future access to equipment.
- Comes standard as freestanding version. May be ordered with 1, 2 or 3 sides for alcove or other installation types.
- Optional factory-installed tile flange available to ensure watertight seal for alcove or other installation types. Must specify left- or right-hand drain on order.
- Includes an integrated overflow with toe tap drain in chrome finish. May be specified without an overflow (see local codes before ordering without an overflow).
- Air baths require job site preparation for remote installation of the blower and required check valve. Check valve must be installed higher than the rim of the tub.
- Waterproof remote control included with air bath. Keypad shipped loose may be remote mounted on nearby surface/wall.
- Numbered areas on tub deck represent possible locations to install faucets and other fixtures.

- Before discarding tub crate, check for accessories that may be packaged inside.
- All product measurements are ±1/2".
- Specifications and configurations are subject to change without notice.
- Measurements herein supersede all others published prior to publication date below.



For more information on options and accessories go to SculptureStone® Tubs Options on mtibaths.com

Akana
 MODEL #: 131
 65.5" x 38" x 21.5"

- Blower & required check valve for airbath must be remote mounted.
- Check valve must be installed higher than the rim of the tub.
- See the Installation & Operation Manual for more details.

Hydrotherapy	Package Contents	Part #	Finish	MSRP
Soaker	Soaking bath - no jets. Includes an integrated slotted overflow with a toe-tap drain kit.	S131	soft matte	\$11,305
		S131GL	hand-polished gloss	\$12,570
Air Bath	20 air jets, heated air blower, keypad, waterproof remote control, integrated slotted overflow with a toe-tap drain kit.	AST131	soft matte	\$16,580
		AST131GL	hand-polished gloss	\$17,845

Options *Must be ordered at time of purchase*

Quick Ship (QSPRI2) **\$1,055** reduces lead time
Please call for availability

Standard Color White
Biscuit Color Upgrade (SSBI) **\$320**
Additional material colors available for projects only. Please call MTI.

Accessories

Teak Bath Mat (TKMAT3018) **\$840** Measures 30" x 17.5" x 1"
Custom sizes also available. Contact MTI for details.

SculptureStone® Tub Tray
 No Stemware Holder (SSTRAY1) **\$350** matte (SSTRAY1GL) gloss **\$350**
 With Stemware Holder (SSTRAY2) **\$465** matte (SSTRAY2GL) gloss **\$465**
Order with tub for best color match

Teak Tub Tray
 Slatted (TK-TRAY1) **\$515** Solid (TK-TRAY2) **\$585**
Order with tub for best fit

Boutique Accessories
 Packaging / Handling Fee Applies

SculptureStone® Bathroom Table (TABLE) **\$850** matte finish
 (TABLEGL) **\$1,295** gloss finish
Order with tub for best color match

SculptureStone® Standard Faucet Stand

Small - 3-hole capacity 14¼" w x 20½" h	Large - 5-hole capacity 22" w x 21½" h
Matte (STAND) \$745	Matte (STANDL) \$880
Gloss (STANDGL) \$1,190	Gloss (STANDLGL) \$1,325

SculptureStone® Premium Faucet Stand

15" w x 39" h	10" w x 39" h
Matte (SSFSR3915MT) \$2,435	Matte (SSFSR3910MT) \$2,200
Gloss (SSFSR3915GL) \$2,800	Gloss (SSFSR3910GL) \$2,600
20" w x 23" h	15" w x 23" h
Matte (SSFSR2320MT) \$1,990	Matte (SSFSR2315MT) \$1,880
Gloss (SSFSR2320GL) \$2,385	Gloss (SSFSR2315GL) \$2,245

Drains & Overflow Kits *Must be ordered at time of purchase*

Toe Tap Drain Cover Finishes
 PVC drain - Chrome included
 +\$50 upcharge Br. Nickel (WIOBN), Pol. Nickel (WIOPN)
 +\$90 upcharge Matte Black (WIOMB)
 +\$110 upcharge Oil-Rubbed Bronze* (WIOOR)
 +\$660 upcharge Special Finish* (WIOSF)
Send finish sample to MTI Baths for best match.

Toe Tap SculptureStone® Drain Cover Finishes
 Upgrade is in lieu of standard chrome to tap drain cover.
 White only
 +\$95 upcharge Matte Finish (SSWIOMT)
 +\$115 upcharge Gloss Finish (SSWIOGL)
Brass Tailpiece (WIOBS) **\$90** in addition to finish charge listed above
Quick Drain Kit (WOQ) **\$485**

* MTI has selected an oil-rubbed bronze finish that is compatible with Delta and many other manufacturers. To ensure best match, order as a Special Finish and submit a sample.
 CSA # MTCT-131
 ©2024 by MTI Baths, Inc. Modification Rights Reserved

* Allow 2-4 weeks lead time for Special Finishes.
 Send sample for best match.

