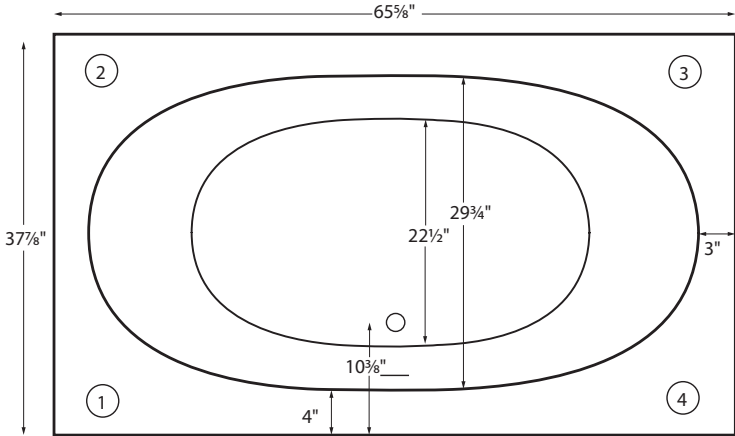


Akana Drop-In

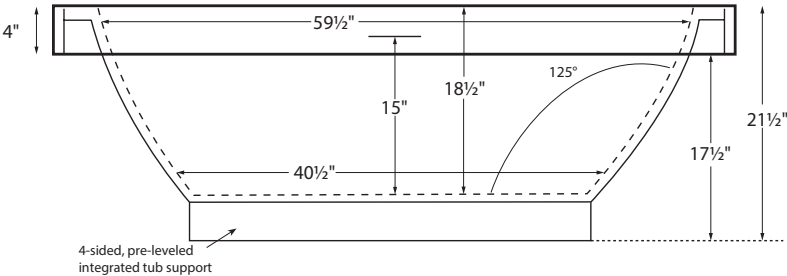


Features an integrated overflow.

MODEL 131A
65.625" x 37.875" x 21.5"
DROP-IN 71 gal to overflow
SculptureStone®
300 lbs / 136 kg soaker 330 lbs / 150 kg airbath
Filling this tub to the maximum may require an above average size or dedicated water heater.



Numbered locations on tub deck are possible locations to mount faucetry.



ELECTRICAL COMPONENTS & SPECIFICATIONS		
Required Electrical Service - 110 Volt		
Hydrotherapy Package	Components Included	GFCI
Air Massage	heated blower	1-15 amp
Electrical requirements may change with the addition of optional therapy components. See specific option details or installation information. CSA Certified C/US; ANSI Z124.1 and ANSI 112.19.7 and ANSI 112.19.7		

See the Installation & Operation Manual for more details.
MTI's Customer Service: Monday-Friday 8am-6pm EST
800-783-8827 or service@mtibaths.com

IMPORTANT ORDERING & INSTALLATION INFORMATION

- Before ordering or installing, please consider future access to equipment.
- Standard rim height on drop-in models is 4". Over 4" available upon request.
- Pre-leveled integral pedestal supports tub on a flat, level subfloor.
- Includes an integrated overflow with toe tap drain kit. May be specified without an overflow (see local codes before ordering without an overflow).
- Air baths require job site preparation for remote installation of the blower and required check valve. Check valve must be installed higher than the rim of the tub.
- Waterproof remote control included with air bath. Keypad shipped loose may be remote mounted on nearby surface/wall.
- Numbered areas on tub deck represent possible locations to install faucets and other fixtures.

• Before discarding tub crate, check for accessories that may be packaged inside.
• All product measurements are ±1/2".
• Specifications and configurations are subject to change without notice.
• Measurements herein supersede all others published prior to publication date below.



For more information on options and accessories go to SculptureStone® Tubs Options on mtibaths.com

Akana Drop-In
 MODEL #: 131A
 65.625" x 37.875" x 21.5"

- Blower & required check valve for airbath must be remote mounted.
- Check valve must be installed higher than the rim of the tub.
- See the Installation & Operation Manual for more details.

Hydrotherapy	Package Contents	Part #	Finish	MSRP
Soaker	Soaking bath - no jets. Includes an integrated slotted overflow with a toe-tap drain kit.	S131A	soft matte	\$11,305
		S131AGL	hand-polished gloss	\$12,180
Air Bath	20 air jets, heated air blower, keypad, waterproof remote control, integrated slotted overflow with a toe-tap drain kit	AST131A	soft matte	\$16,580
		AST131AGL	hand-polished gloss	\$17,455

Options <i>Must be ordered at time of purchase</i>
Quick Ship (QSPRI2) \$1,055 reduces lead time <i>Please call for availability</i>
Standard Color White Biscuit Color Upgrade (SSBI) \$320 <i>Additional material colors available for projects only. Please call MTI.</i>
Tile Flange - Factory Installed 1 Side (TFK1) \$180 , 2 Side (TFK2) \$195 , 3 Side (TFK3) \$210 <i>Must specify flange location(s) upon ordering</i> Field Install Tile Flange Kit (TFKNI) \$195 <i>Includes adhesive</i>

Boutique Accessories
Packaging / Handling Fee Applies
SculptureStone® Bathroom Table (TABLE) \$850 matte finish (TABLEGL) \$1,295 gloss finish <i>Order with tub for best color match</i>

Accessories
Teak Bath Mat (TKMAT3018) \$840 Measures 30" x 17.5" x 1" <i>Custom sizes also available. Contact MTI for details.</i>
SculptureStone® Tub Tray No Stemware Holder (SSTRAY1) \$350 matte (SSTRAY1GL) gloss \$350 With Stemware Holder (SSTRAY2) \$465 matte (SSTRAY2GL) gloss \$465 <i>Order with tub for best color match</i>
Teak Tub Tray Slatted (TK-TRAY1) \$515 Solid (TK-TRAY2) \$585 <i>Order with tub for best fit</i>

Drains & Overflow Kits *Must be ordered at time of purchase*

Toe Tap Drain Cover Finishes
PVC drain - Chrome included
+\$50 upcharge Br. Nickel (WIOBN), Pol. Nickel (WIOPN)
+\$90 upcharge Matte Black (WIOMB)
+\$110 upcharge Oil-Rubbed Bronze* (WIOOR)
+\$660 upcharge Special Finish* (WIOSF)
<i>Send finish sample to MTI Baths for best match.</i>

Toe Tap SculptureStone® Drain Cover Finishes
Upgrade is in lieu of standard chrome to tap drain cover. White only
+\$95 upcharge Matte Finish (SSWIOMT)
+\$115 upcharge Gloss Finish (SSWIOGL)
Brass Tailpiece (WIOBS) \$90 in addition to finish charge listed above
Quick Drain Kit (WOQ) \$485

* MTI has selected an oil-rubbed bronze finish that is compatible with Delta and many other manufacturers. To ensure best match, order as a Special Finish and submit a sample.
 CSA # MTCT-131
 ©2024 by MTI Baths, Inc. Modification Rights Reserved

* Allow 2-4 weeks lead time for Special Finishes.
 Send sample for best match.

