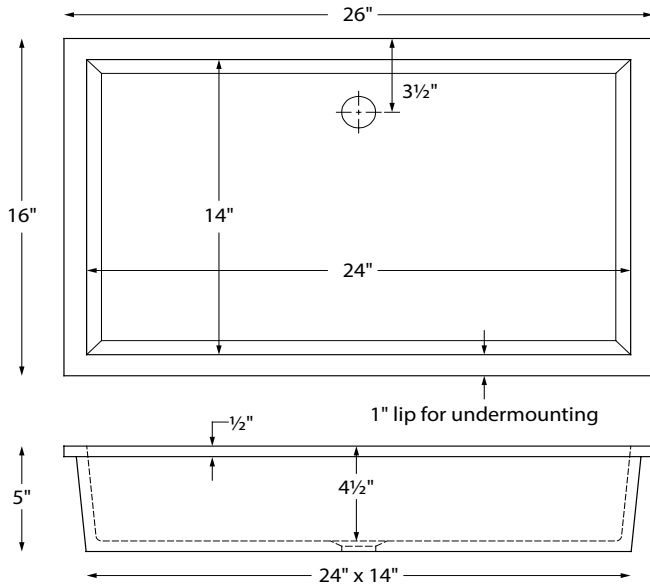


Boutique Collection Sinks

Petra 13 undermount



MODEL 766
26" x 16" x 5" Bowl: 24" x 14"
UNDERMOUNT ONLY
SculptureStone®
25 lbs / 11 kg



Due to its handcrafted nature, always measure sink on-site to ensure cut-out accuracy when undermounting.

ORDERING AND INSTALLATION

- 1.5" drain opening
- Optional overflow available for undermount (check local codes)
- undermount only. Measure on site to achieve the proper cut-out size.
- Lip detail will accommodate commonly used undermount hardware. undermount hardware is not included.
- One-piece construction using Engineered SculptureStone® (ESS) material.
- Non-porous, stain-, mold- and mildew-resistant SculptureStone®
- Material is approximately 70% organic
- Five-Year Limited Residential Warranty

Finish	Part #	MSRP
soft matte white	MTCS766	\$1,280
hand-polished gloss white	MTCS766GL	\$2,015

Options Must be ordered at time of purchase

Biscuit Color Upgrade (SSBISNK) +\$125

Additional material colors available for projects only. Please call MTI.

Quick Ship (QSPRI3) \$265 reduces lead time

Please call for availability.

Accessories Must be ordered at time of purchase

Teak Sink Tray

Slatted (TKST1) **\$195** Solid (TKST2) **\$225**

Drain Kits

Integrated Overflow no charge

Rear Overflow (SINKIOR), Front Overflow (SINKIOF)

Finger Touch Drain With Overflow

Chrome (DKFGC) **\$190**, Brushed Nickel (DKFGBN) **\$185**

Finger Touch Drain Without Overflow

Chrome (DKFGCN) **\$190**, Brushed Nickel (DKFGBNN) **\$195**

Grid Drain With Overflow

Chrome (DKGDC) **\$135**, Brushed Nickel (DKGDBN) **\$185**

Grid Drain Without Overflow

Chrome (DKGDCN) **\$120**, Brushed Nickel (DKGDBNN) **\$185**

Fixed Drain Without Overflow

Chrome (DKFDC) **\$310**

Sink Bottom Cover matching material color

Matte (BCSMT) **\$290** Gloss (BCSGL) **\$400**

Ext. Color for Sink Bottom Cover — Upcharge

Matte (SSCOLSBM) +\$270 Gloss (SSCOLSBG) +\$270

- Before discarding packaging, check for accessories that may be inside.
- All product measurements are $\pm 1/2"$.
- Specifications and configurations are subject to change without notice.
- Measurements herein supersede all others published prior to publication date below.

CSA # MTCS-766

©2024 by MTI Baths, Inc. Modification Rights Reserved

