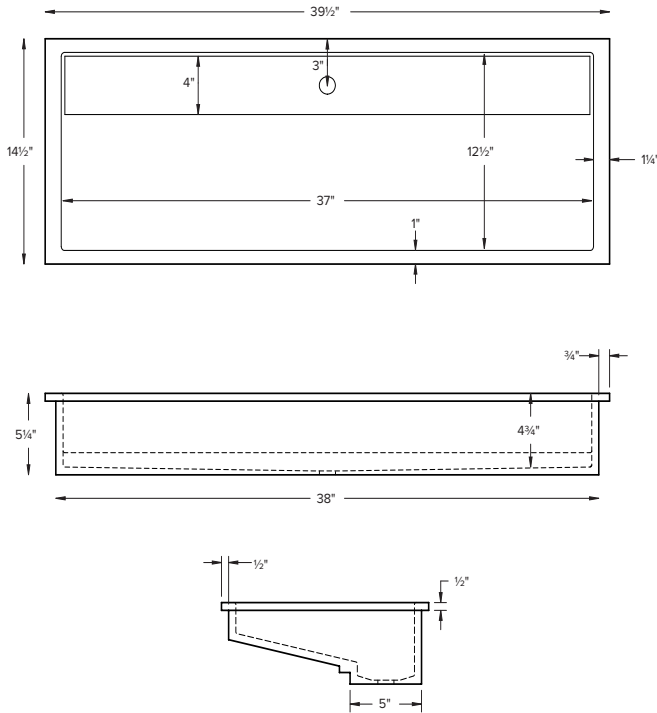


Wymara 3



Wymara 3 features a concealed drain cover.
See image below for sink with cover removed.

MODEL 764
39.5" x 14.5" x 5.25" Bowl: 37" x 12.5"
UNDERMOUNT ONLY
SculptureStone®
70 lbs / 32 kg



Due to its handcrafted nature, always measure sink on-site to ensure cut-out accuracy.

Finish	Part #	MSRP
soft matte white	MTCS764	\$1,575
hand-polished gloss white	MTCS764GL	\$2,310

Options Must be ordered at time of purchase

Biscuit Color Upgrade (SSBISNK) +\$125
Additional material colors available for projects only. Please call MTI.

Quick Ship (QSPRI3) \$265 reduces lead time
Please call for availability.

Accessories Must be ordered at time of purchase

Teak Sink Tray
Slatted (TKST1) **\$195** Solid (TKST2) **\$225**

Drain Kits

Integrated Overflow no charge
Rear Overflow (SINKIOR), Front Overflow (SINKIOF)

Finger Touch Drain With Overflow
Chrome (DKFGC) **\$190**, Brushed Nickel (DKFGBN) **\$185**

Finger Touch Drain Without Overflow
Chrome (DKFGCN) **\$190**, Brushed Nickel (DKFGBNN) **\$195**

Grid Drain With Overflow
Chrome (DKGDC) **\$135**, Brushed Nickel (DKGDBN) **\$185**

Grid Drain Without Overflow
Chrome (DKGDCN) **\$120**, Brushed Nickel (DKGDBNN) **\$185**

Fixed Drain Without Overflow
Chrome (DKFDC) **\$310**

ORDERING AND INSTALLATION

- 1.5" drain opening
- Optional overflow available for undermount (check local codes)
- undermount only. Measure on site to achieve the proper cut-out size.
- Lip detail will accommodate commonly used undermount hardware. undermount hardware is not included.
- One-piece construction using Engineered SculptureStone® (ESS) material.
- Non-porous, stain-, mold- and mildew-resistant SculptureStone®
- Material is approximately 70% organic
- Five-Year Limited Residential Warranty



Shown with drain cover removed.



Also available, Wymara Counter-Sink 3, featuring custom-size countertop with integrated bowl.

• Before discarding packaging, check for accessories that may be inside.
• All product measurements are ±1/2".
• Specifications and configurations are subject to change without notice.
• Measurements herein supersede all others published prior to publication date below.

