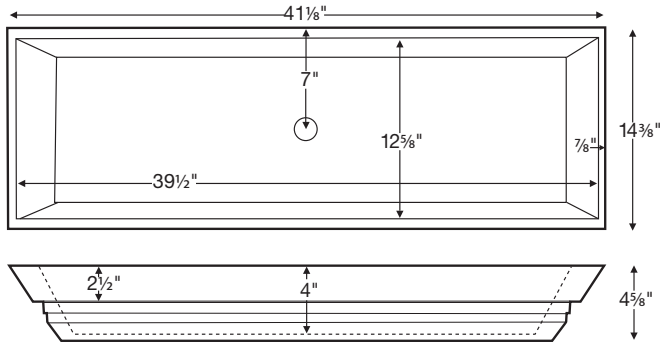


Petra 7 SR



Petra 7 SR is a single-drain semi-recess sink.  
For dual drain, see Petra 8 SR, MTCS-750.

MODEL 748
41.125" x 14.375" x 4.625"
SEMI-RECESSED
<b>SculptureStone®</b>
48 lbs / 22 kg



The top 2 1/2" of the semi-recessed sink will rest on the vanity.

Due to its handcrafted nature, always measure sink on-site to ensure cut-out accuracy.

Finish	Part #	MSRP
soft matte white	MTCS748	<b>\$1,320</b>
hand-polished gloss white	MTCS748GL	<b>\$2,055</b>

Options	Must be ordered at time of purchase	
<b>Biscuit Color Upgrade (SSBISNK) +\$125</b>	Additional material colors available for projects only. Please call MTI.	
<b>Exterior Color \$350 (SSCOLSG) Gloss (SSCOLSM) Matte</b>	Must specify color code. <i>Not available for undermount sinks.</i> Sapphire Blue (SB), Blue Lagoon (BL), Terracotta (TC), Onyx (OX), Stratus Gray (TG), Stormgray (SG)	
<b>Quick Ship (QSPRI3) \$265</b>	reduces lead time Please call for availability.	

Accessories	Must be ordered at time of purchase	
<b>Teak Sink Tray</b>	Slatted (TKST1) <b>\$195</b> Solid (TKST2) <b>\$225</b>	
<b>Drain Kits</b>	<b>Finger Touch Drain Without Overflow</b> Chrome (DKFGCN) <b>\$190</b> , Brushed Nickel (DKFGBNN) <b>\$195</b>  <b>Grid Drain Without Overflow</b> Chrome (DKGDCN) <b>\$120</b> , Brushed Nickel (DKGDBNN) <b>\$185</b>  <b>Fixed Drain Without Overflow</b> Chrome (DKFDC) <b>\$310</b>	
<b>Sink Bottom Cover</b>	matching material color Matte (BCLMT) <b>\$680</b> Gloss (BCLGL) <b>\$830</b>	
<b>Ext. Color for Sink Bottom Cover — Upcharge</b>	Matte (SSCOLSBM) <b>+\$270</b> Gloss (SSCOLSBG) <b>+\$270</b>	



Also available, Petra Counter-Sink 7, featuring custom-size countertop with integrated bowl. Available only as a single bowl.

**ORDERING AND INSTALLATION**

- 1.5" drain opening
- One-piece construction
- Non-porous, stain-, mold- and mildew-resistant SculptureStone®
- Material is approximately 70% organic
- Five-Year Limited Residential Warranty

• Before discarding packaging, check for accessories that may be inside.  
• All product measurements are ±1/2".  
• Specifications and configurations are subject to change without notice.  
• Measurements herein supersede all others published prior to publication date below.

