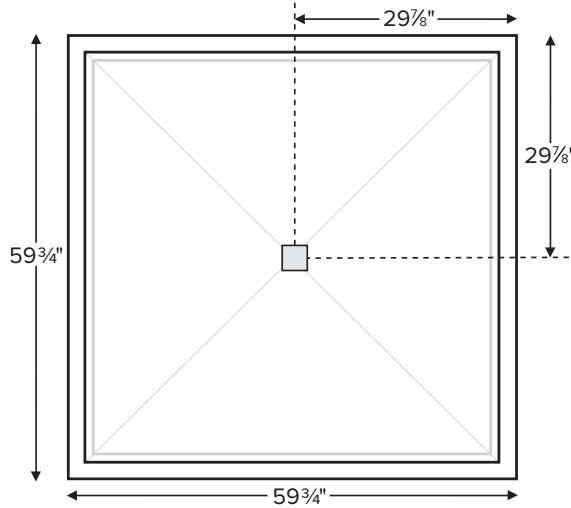


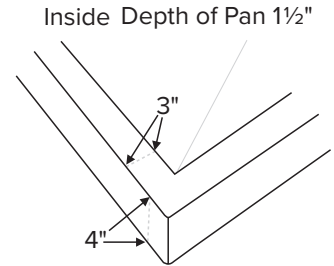
Designer Collection Shower Bases



6060MT



59.75" x 59.75" x 4" (exterior bottom of base)
MULTIPLE, LOW-PROFILE THRESHOLD smooth floor
Center Drain
Acrylic CXL®
150 lbs / 68 kg



When ordering, please specify tile flange locations.

Not for use in steam shower applications.

Model #	Material	Color / Finish	MSRP
SB6060MT	Acrylic CXL™	White (CWH) or Biscuit (CBS) / Gloss	\$3,030

Options *Must be ordered at time of purchase*

Quick Ship (QSPRI) \$450

Reduces lead time. Please call for availability.

Radiance® (RAD100) \$1,675 Shower floor heating system. Radiance heating grids are fully integrated within the acrylic shell structure of the shower floor. Requires a 110-volt, 15 amp GFCI and remote installation of control box & keypad.

Pre-Levelled Foam Base (PLFSB) \$230

PVC Drain Kit Finishes Chrome included with shower base
Brushed Nickel upcharge (SBSQDBN) **\$130**



Factory-installed tile flange is 1/16" thick.
Account for this thickness when planning final opening size.

Accessories

Drain Kit

Solid Brass Drain Kit with Stainless Steel Trim (SBSQDSB) **\$205**

Teak Shower Seat

Premium

Natural Stainless (TK-SSEAT2416BNS) **\$3,125**

High-Polished Stainless (TK-SSEAT2416BHP) **\$3,570**

Standard

Natural Stainless (TK-SSEAT2215NS) **\$1,160**

High-Polished Stainless (TK-SSEAT2215HP) **\$1,620**

Teak Bath Mat (TKMAT3018) \$840 Measures 30" x 17.5" x 1"

Custom sizes also available. Contact MTI for details.

Teak Shower Tray (TK6060MT)

Contact MTI for pricing

IMPORTANT ORDERING & INSTALLATION INFORMATION

- Factory-installed tile flange on 1, 2 or 3 sides to facilitate installation. Must specify tile flange location(s) on order.
- 3.5" drain opening pre-drilled.
- Dimensions provided represent the length and width of the bottom of the base without tile flange. See Installation Instructions.
- Add proper wet-bedding compound to fully support bottom of shower base. Optional factory installed Pre-Levelled Foam Base negates the need to wet bed when installing on a flat, level subfloor. See installation instructions.
- All bases are in accordance with CSA B45.5/IAPMO Z124 standard and compliant with ASTM C 1028-07 coefficient of friction.

- Options and accessories may be packaged inside the box. Always check packaging before discarding.
- All product measurements are ±1/2".
- Specifications and configurations are subject to change without notice.
- Measurements herein supersede all others published prior to publication date below.

See the Installation & Operation Manual for more details.

MTI's Customer Service: Monday-Friday 8am-6pm EST

800-783-8827 or service@mtibaths.com

CSA # MTSB-6060MT

©2024 by MTI Baths, Inc. Modification Rights Reserved



Rev. 04 30 2024