

Teak Shower Seats



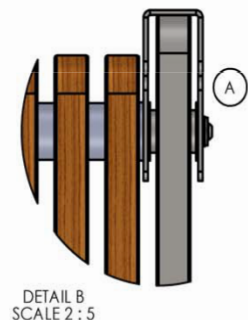
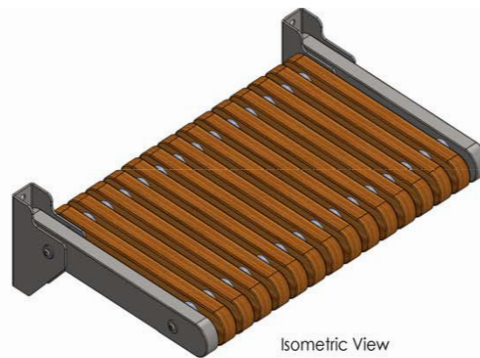
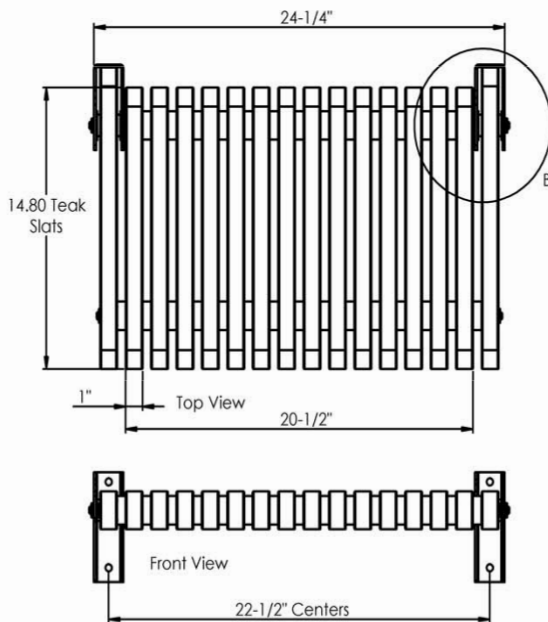
Premium Teak Shower Seat
<b>24" x 16"</b>
Natural Stainless (TK-SSEAT2416BNS) <b>\$3,125</b>
High-Polished Stainless (TK-SSEAT2416BHP) <b>\$3,570</b>
<b>24" x 16" ADA Compliant*</b>
(Features additional mechanism to aid lifting and lowering)
Natural Stainless (TK-SSEAT2416BNSA) <b>\$3,740</b>
High-Polished Stainless (TK-SSEAT2416BHPA) <b>\$3,570</b>

\*Lead time is 8 weeks for ADA compliant teak seats.

**CONSTRUCTION AND FEATURES**

- 1" wide x 2" thick slats are constructed of the finest grade of Genuine Teak.\*\*
- Highly durable 11 ga. stainless steel frame with 10 ga. wall flanges supports up to 500 lbs.\*
- Positive stop friction spring guide bracket holds seat in position.
- Teak has the natural ability to ward off fungi, mold and mildew.
- Unsurpassed quality and workmanship.
- Handcrafted and milled in the USA.
- Teak is inherently slip-resistant.

**IMPORTANT:** All shower seats must be installed on sufficient in-wall backing materials with fasteners suitable to the wall material. Mounting hardware is not included with the shower seat.



**\*\* Environmentally Responsible**

MTI uses only 100% legal, FEQ (First European Quality) sustainable teak lumber. The teak lumber used in MTI products is imported by reputable suppliers who meet and exceed all federal regulations.

Our suppliers are dedicated to complying with all international laws regarding labor and conservation concerns in harvesting of the trees.

All premium teak lumber used by MTI is harvested from responsibly managed forests and is not endangering or depleting the rain forests of the world.

MTI's Customer Service Department is available Monday-Friday 8am-6pm EST  
**800-783-8827** or [service@mtibaths.com](mailto:service@mtibaths.com)



Teak Shower Seats



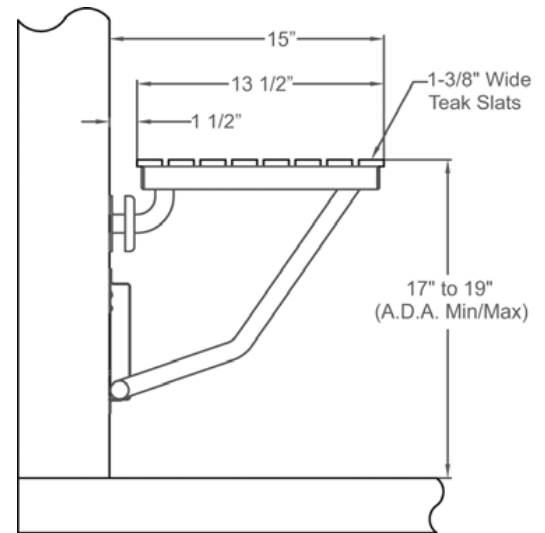
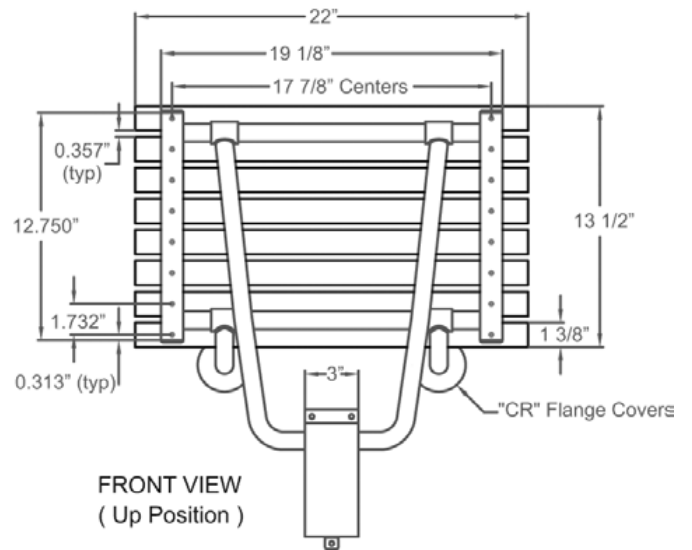
**Standard Teak Shower Seat**

**22" x 15"**

Natural Stainless (TK-SSEAT2215NS) **\$1,160**

High-Polished Stainless (TK-SSEAT2215HP) **\$1,620**

**IMPORTANT:** All shower seats must be installed on sufficient in-wall backing materials with fasteners suitable to the wall material. Mounting hardware is not included with the shower seat.



**SIDE VIEW  
( Down Position )**

**CONSTRUCTION AND FEATURES**

- 1 3/8" wide x 1/2" thick slats are constructed of the finest grade of Genuine Teak\* joined to 1 1/4" stainless steel frame with countersunk marine-grade stainless steel screws.
- Sturdy frame is constructed of 18 ga. stainless steel support components and 10 ga. stainless wall flanges.
- Constant friction wall mounted bracket guides the U-shaped sliders freely up and down, resulting in a low-pressure constant spring action to raise and lower seat.
- Positive stop friction spring guide bracket automatically holds seat in upright position.
- Teak has the natural ability to ward off fungi, mold and mildew.
- Unsurpassed quality and workmanship.
- Handcrafted and milled in the USA.
- Teak is inherently slip-resistant.

**\* Environmentally Responsible**

MTI uses only 100% legal, FEQ (First European Quality) sustainable teak lumber. The teak lumber used in MTI products is imported by reputable suppliers who meet and exceed all federal regulations.

Our suppliers are dedicated to complying with all international laws regarding labor and conservation concerns in harvesting of the trees.

All premium teak lumber used by MTI is harvested from responsibly managed forests and is not endangering or depleting the rain forests of the world.

MTI's Customer Service Department is available Monday-Friday 8am-6pm EST  
**800-783-8827** or [service@mtibaths.com](mailto:service@mtibaths.com)

