



FEATURES

- 1/4" thick 304 Stainless Steel Rim & Handle
- 16 gauge 304 Stainless Steel Body

TECHNICAL INFORMATION

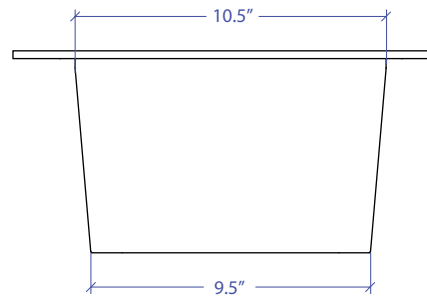
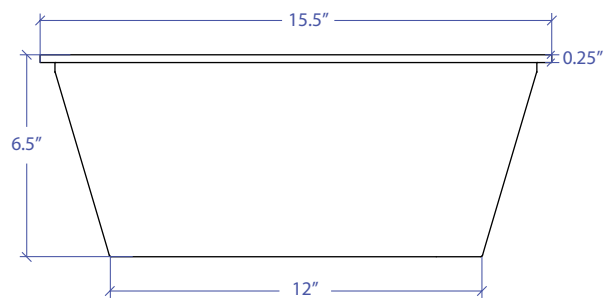
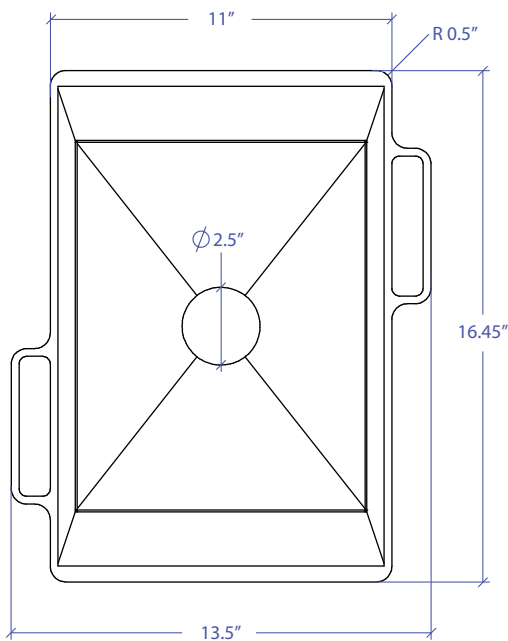
- External Dimension: 16.45" L x 13.5" W x 6.5" D
- Bowl Dimension: 12" L x 9.5" W x 6.5" D
- Rim Thickness: 0.25"

FINISHES

- Satin Brushed Stainless Steel

INCLUDED ACCESSORIES

- Silicone Drain Plug



PROJECT INFORMATION			
Project			
Date	/	/	QTY
Specifier			
Contact			
Note			