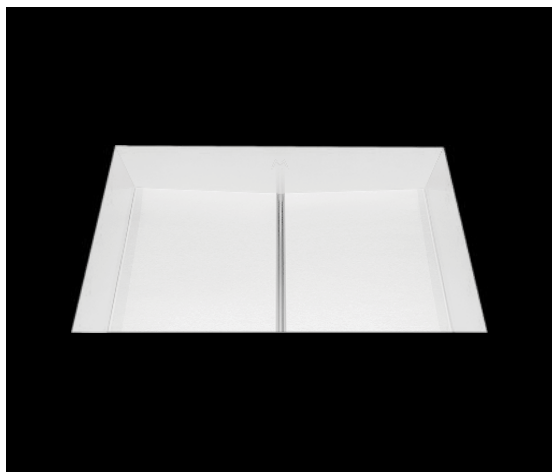


FLATIRON MUB-302W



*ADA compliant

FEATURES

- 16-gauge type 304 stainless steel

TECHNICAL INFORMATION

- External dimension: 22" L x 15" W x 4" D
- Basin dimension: 20" L x 13" W x 4" D

FINISHES

- White Powder Coated

INSTALLATION OPTIONS

- Under-mount

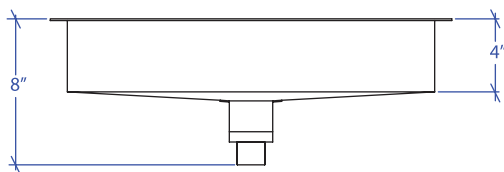
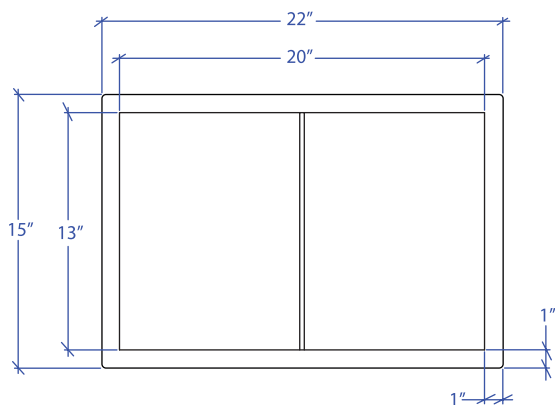
MINIMUM CABINET SIZE (I.D.)

- Under-mount 25"

DUAL-MOUNT INSTALLATION



Under-mount



PROJECT INFORMATION			
Project			
Date	/ /	QTY	
Specifier			
Contact			
Note			