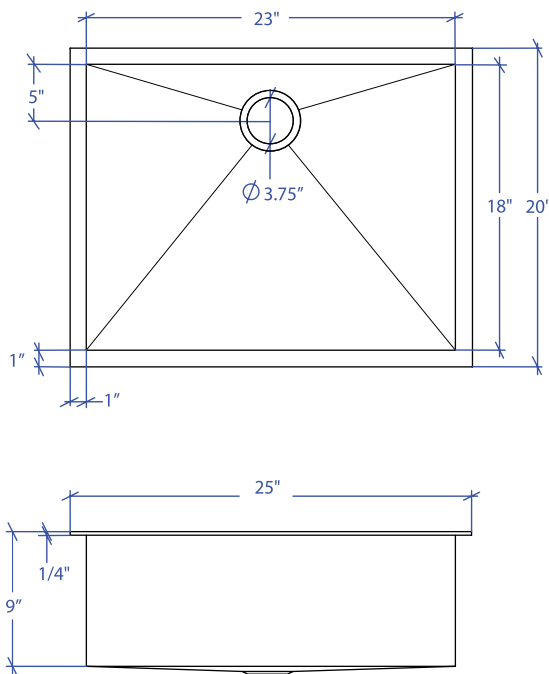


ATELIER MTS-800SB



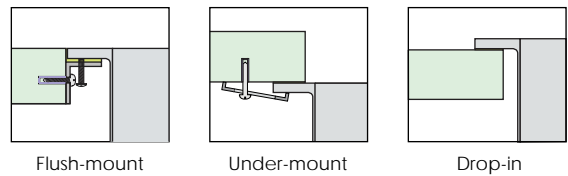
*Custom ADA compliant sinks are available



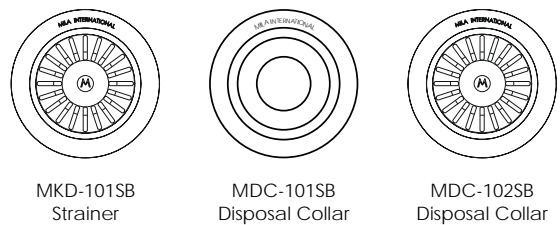
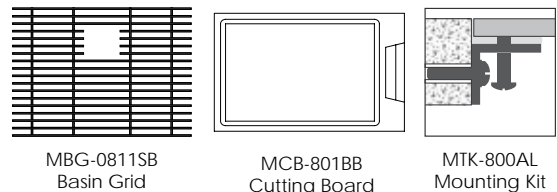
- FEATURES**
 16-gauge type 304 stainless steel
 TRI-MOUNT™ installation system
- TECHNICAL INFORMATION**
 External dimension: 25" Lx20" Wx9" D
 Basin dimensions: 23" Lx18" Wx9" D
 Rim width: 1"
 Rim thickness: 1/4"
- FINISHES**
 Satin brushed stainless steel
- INSTALLATION OPTIONS**
 Flush-mount
 Drop-in
 Under-mount
- MINIMUM CABINET SIZE (I.D.)**
 Flush-mount 28"
 Drop-in 25"
 Under-mount 29"

INDUSTRY'S ONLY STAINLESS STEEL SINK DESIGNED SPECIFICALLY TO BE FLUSH-MOUNTED

- U.S. PATENT NO. 9,988,799**
- CANADIAN PATENT NO. 2579506**
- TRI-MOUNT INSTALLATION**



ACCESSORIES



PROJECT INFORMATION			
Project			
Date	/ /	QTY	
Specifier			
Contact			
Note			