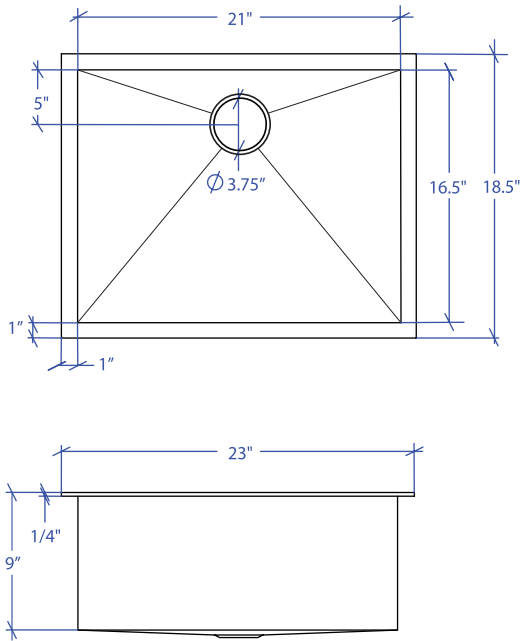


# ATELIER MTS-652SB



\*Custom ADA compliant sinks are available



## • FEATURES

16-gauge type 304 stainless steel  
TRI-MOUNT™ installation system

## • TECHNICAL INFORMATION

External dimension: 23" Lx18.5" Wx9" D  
Basin dimensions: 21" Lx16.5" Wx9" D  
Rim width: 1"  
Rim thickness: 1/4"

## • FINISHES

Satin brushed stainless steel

## • INSTALLATION OPTIONS

Flush-mount  
Drop-in  
Under-mount

## • MINIMUM CABINET SIZE (I.D.)

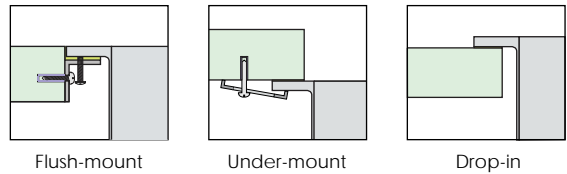
Flush-mount 26"  
Drop-in 23"  
Under-mount 27"

## • INDUSTRY'S ONLY STAINLESS STEEL SINK DESIGNED SPECIFICALLY TO BE FLUSH-MOUNTED

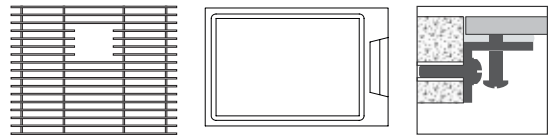
## • U.S. PATENT NO. 9,988,799

## • CANADIAN PATENT NO. 2579506

## • TRI-MOUNT INSTALLATION



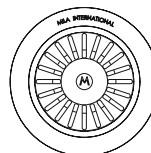
## • ACCESSORIES



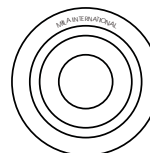
MBG-6508SB  
Basin Grid

MCB-651BB  
Cutting Board

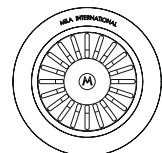
MTK-602AL  
Mounting Kit



MKD-101SB  
Strainer



MDC-101SB  
Disposal Collar



MDC-102SB  
Disposal Collar

PROJECT INFORMATION			
Project			
Date	/ /	QTY	
Specifier			
Contact			
Note			