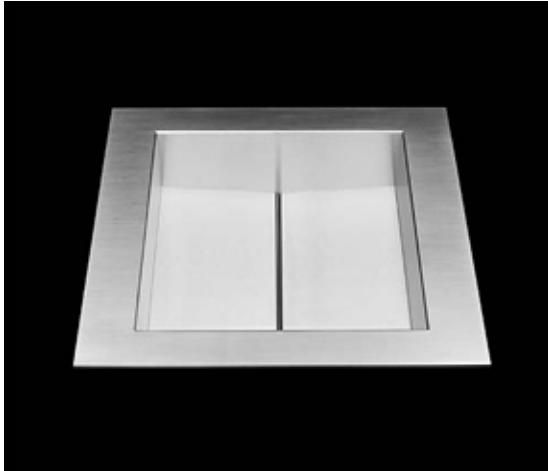
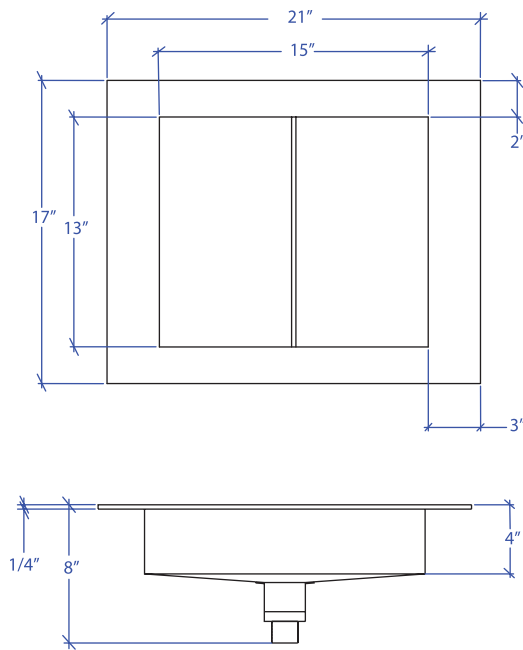


ATELIER MTB-301PSB

2 TONE FINISH



*ADA compliant



• FEATURES

16-gauge type 304 stainless steel
TRI-MOUNT™ installation system

• TECHNICAL INFORMATION

External dimension: 21" L x 17" W x 4" D
Basin dimensions: 15" L x 13" W x 4" D
Frame width: 2" / 3"
Frame thickness: 1/4"

• FINISHES

Frame: Satin Brushed stainless steel
Basin: Polished Mirror Finish

• INSTALLATION OPTIONS

Flush-mount
Drop-in

• MINIMUM CABINET SIZE (I.D.)

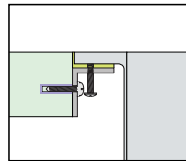
Flush-mount 24"
Drop-in 23"

• INDUSTRY'S ONLY STAINLESS STEEL SINK DESIGNED SPECIFICALLY TO BE FLUSH-MOUNTED

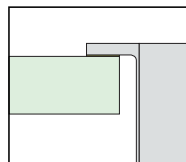
• U.S. PATENT NO. 9,988,799

• CANADIAN PATENT NO. 2579506

• INSTALLATION

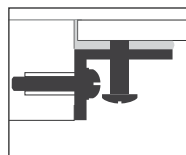


Flush-mount



Drop-in

• ACCESSORY



MTK-115AL
Mounting Kit

PROJECT INFORMATION			
Project			
Date	/ /	QTY	
Specifier			
Contact			
Note			

BATHROOM DUAL-MOUNT