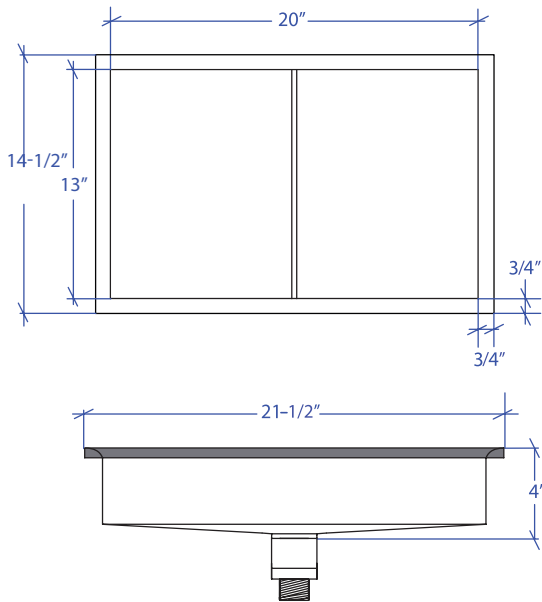




*ADA compliant



- **FEATURES**
16-gauge type 304 stainless steel
Stainless steel rim support tubing
1/4" round profile rim and basin design

- **TECHNICAL INFORMATION**
External dimension: 21.5"Lx14"Wx4"D
Basin dimensions: 20"Lx13"Wx4"D
Rim width: 3/4"
Rim thickness: 5/16"

- **FINISHES**
Satin Brushed stainless steel

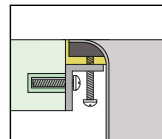
- **INSTALLATION OPTIONS**
Flush-mount

- **MINIMUM CABINET SIZE (I.D.)**
Flush-mount 24"

- **INDUSTRY'S ONLY STAINLESS STEEL SINK DESIGNED SPECIFICALLY TO BE FLUSH-MOUNTED**

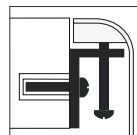
- **INTERNATIONAL PATENT PENDING**

- **FLUSH-MOUNT INSTALLATION**



Flush-mount

- **ACCESSORIES**



Flush Mount Kit
(Included)
MTK-303AL

PROJECT INFORMATION			
Project			
Date	/	/	QTY
Specifier			
Contact			
Note			