



# Buckley™ | K-TS35937-4G

Bath and shower trim kit, 1.75 gpm

## Features

- Pressure-balancing diaphragm technology maintains outlet temperature within +/-3°F during water pressure fluctuations
- Antiscald protection
- A single handle controls both on/off activation and temperature setting
- 5-1/16" (129 mm) diverter bath spout with slip-fit connection
- Includes single-function 1.75 gpm (6.6 lpm) showerhead
- MasterClean™ sprayface features an easy-to-clean surface that withstands mineral buildup and maximizes spray performance
- Box includes: Showerhead, shower arm and flange, faceplate with lever handle, diverter bath spout with 1/2" slip-fit connection
- Coordinates with other products in the Buckley collection



## Sustainability



## Available Colors/Finishes

*Color tiles intended for reference only.*

- CP Polished Chrome
- BN Vibrant Brushed Nickel
- BL Matte Black



1-800-4KOHLER (1-800-456-4537)  
Kohler Co. reserves the right to make revisions without notice to product specifications.  
For the most current specification sheet, go to [www.kohler.com](http://www.kohler.com) USA or [www.kohler.ca](http://www.kohler.ca) Canada.  
4-15-2026 2:41 - US-CA

THE BOLD LOOK  
OF **KOHLER**

## Codes/Standards



ASME A112.18.1/CSA B125.1  
 DOE - Energy Policy Act 1992  
 EPA WaterSense®  
 California Energy Commission (CEC)

## Technical Information

*All product dimensions are nominal.*

### Handle

Handle Style/ Type:                      Lever

### Spout

Spout Reach:                                5-1/16" (129 mm)

### Flow Rate

Shower/Rainhead Rated                      1.75 gpm (6.6 l/min)  
 Maximum Flow:

## Valves

Required Valve:                              Diverter

## Material

- Premium material construction with metal handle ensures reliability and durability
- KOHLER finishes resist corrosion and tarnishing

## Required Products/Accessories

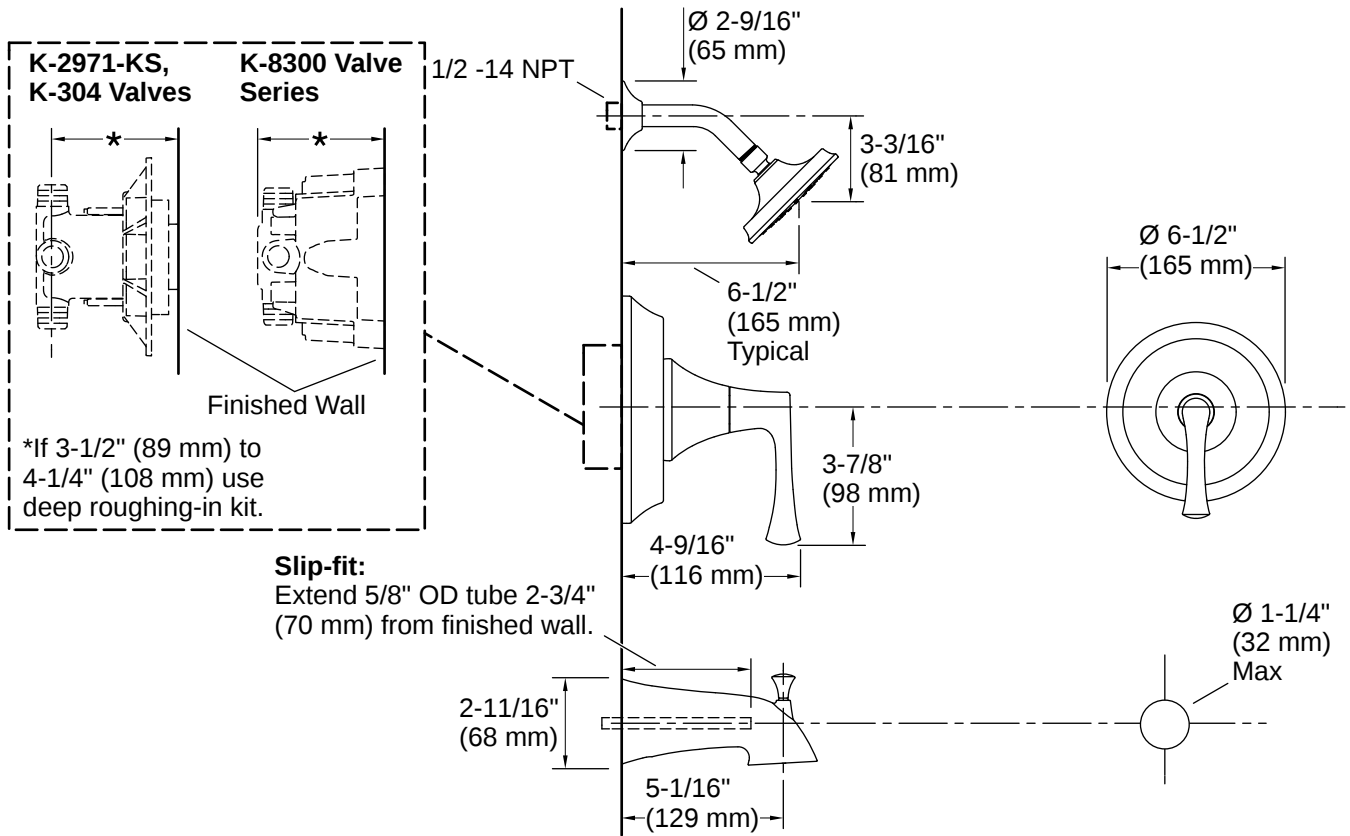
- K-8304 Series Rite-Temp® Valve & Cartridge Kits (QTY 7)
- or
- K-8300 Series Rite-Temp® Valve Body Rough-ins (QTY 5)
- K-8305 Series Rite-Temp® Cartridges
- or
- K-8300 Series Rite-Temp® Valve Body Rough-ins (QTY 5)
- K-28305 Thermostatic cartridge
- or
- K-28304-K Thermostatic valve body and cartridge kit
- K-28304-KS Thermostatic valve body and cartridge kit with service stops
- K-28304-KSL Thermostatic valve body and cartridge kit with loose service stops

## Warranty

*See website for detailed warranty information.*

KOHLER® Faucet Lifetime Limited Warranty





## Installation

- Trim only; requires valve to complete installation (sold separately)

## Installation Notes

*Install this product according to the installation instructions.*

Install the product according to the installation guide.

NOTICE: Risk of product damage. Long screws, for installing trim, can damage the K-2971-KS valve. Consult the trim installation guide to verify if the thin wall installation kit (88526) is needed.

Install straight pipe or tube drop of 7" (178 mm) to 18" (457 mm) with single elbow between the valve and the wall-mount spout.

