



Elate® | K-TS35322-4G

Rite-Temp® bath and shower trim kit, 1.75 gpm

Features

- Antiscald protection
- A single handle controls both on/off activation and temperature setting
- 6-1/16" (154 mm) diverter bath spout with slip-fit connection
- Includes single-function 1.75 gpm (6.6 lpm) showerhead
- MasterClean™ sprayface features an easy-to-clean surface that withstands mineral buildup and maximizes spray performance
- Box includes: Showerhead, shower arm and flange, faceplate with lever handle, diverter bath spout with 1/2" slip-fit connection
- Coordinates with other products in the Elate collection



Sustainability



Available Colors/Finishes

Color tiles intended for reference only.

- CP Polished Chrome
- BN Vibrant Brushed Nickel
- BL Matte Black
- 2MB Vibrant Brushed Moderne Brass



1-800-4KOHLER (1-800-456-4537)
Kohler Co. reserves the right to make revisions without notice to product specifications.
For the most current specification sheet, go to www.kohler.com USA or www.kohler.ca Canada.
4-15-2026 2:45 - US-CA

THE BOLD LOOK
OF **KOHLER**®

Codes/Standards



ASME A112.18.1/CSA B125.1
DOE - Energy Policy Act 1992
EPA WaterSense®
California Energy Commission (CEC)

Technical Information

All product dimensions are nominal.

Handle

Handle Style/ Type: Lever

Spout

Spout Reach: 5" (127 mm)

Flow Rate

Shower/Rainhead Rated 1.75 gpm (6.6 l/min)

Maximum Flow:

Handshower Rated Maximum 1.75 gpm (6.6 l/min)

Flow:

Valves

Required Valve: Pressure Balance

Material

- Premium material construction with metal handle ensures reliability and durability
- KOHLER finishes resist corrosion and tarnishing

Required Products/Accessories

- K-8304 Series Rite-Temp® Valve & Cartridge Kits

or

- K-8300 Series Rite-Temp® Valve Body Rough-ins

- K-8305 Series Rite-Temp® Cartridges

or

- K-8300 Series Rite-Temp® Valve Body Rough-ins (QTY 5)

- K-28305 Thermostatic cartridge

or

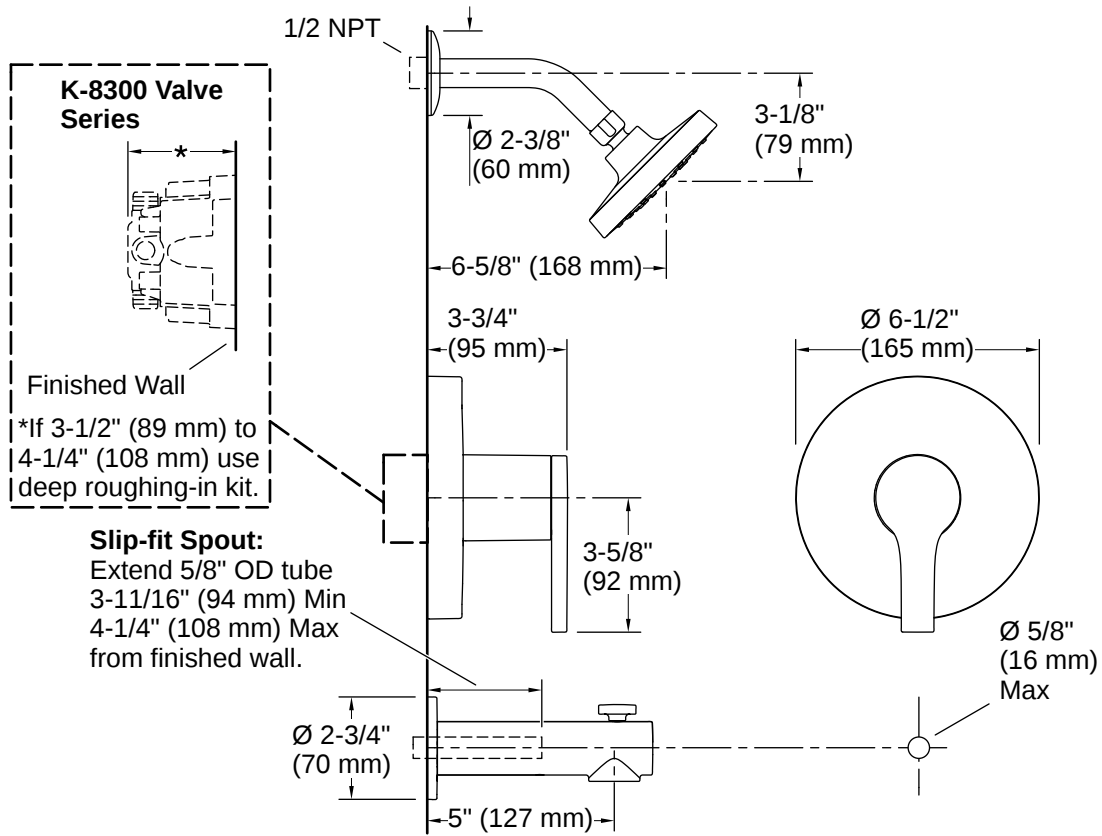
- K-28304-K Thermostatic valve body and cartridge kit

Warranty

See website for detailed warranty information.

KOHLER® Faucet Lifetime Limited Warranty





Installation

- Trim only; requires valve to complete installation (sold separately)

Installation Notes

Install this product according to the installation instructions.

Cap the shower outlet if the deck-mounted spout, diverter, or hand shower is connected to the spout outlet.

Install straight pipe or tube drop of 7" (178 mm) to 18" (457 mm) with single elbow between the valve and the wall-mount spout.

