

Tone™ | K-TS27421-4G

Rite-Temp® bath and shower trim kit, 1.75 gpm

Features

- A single handle controls both on/off activation and temperature setting
- Pressure-balancing diaphragm technology maintains outlet temperature within +/-3°F during water pressure fluctuations
- Antiscald protection
- Includes faceplate with ADA-compliant metal lever handle
- Includes 6-9/16" (167 mm) diverter bath spout with slip-fit connection
- Includes single-function 1.75 gpm (6.6 lpm) showerhead
- MasterClean™ sprayface features an easy-to-clean surface that withstands mineral buildup and maximizes spray performance
- Includes shower arm and flange
- Coordinates with other products in the Tone collection
- Requires Rite-Temp® pressure-balancing valve (sold separately)
- This product can help a building earn Water Efficiency points in LEED® Green Building Rating System



Sustainability



Available Colors/Finishes

Color tiles intended for reference only.

- CP Polished Chrome
- BN Vibrant Brushed Nickel
- BL Matte Black
- 2MB Vibrant Brushed Moderne Brass
- BMB Matte Black with Brushed Moderne Brass



1-800-4KOHLER (1-800-456-4537)

Kohler Co. reserves the right to make revisions without notice to product specifications.
For the most current specification sheet, go to www.kohler.com USA or www.kohler.ca Canada.
4-15-2026 6:9 - US-CA

THE BOLD LOOK
OF **KOHLER**®

Codes/Standards



ASME A112.18.1/CSA B125.1
DOE - Energy Policy Act 1992
EPA WaterSense®
California Energy Commission (CEC)

Technical Information

All product dimensions are nominal.

Handle

Handle Style/ Type: Lever

Spout

Spout Reach: 6-9/16" (166 mm)

Flow Rate

Shower/Rainhead Rated 1.75 gpm (6.6 l/min)
Maximum Flow:

Valves

Required Valve: Pressure Balance

Material

- Premium material construction with metal handle ensures reliability and durability
- KOHLER finishes resist corrosion and tarnishing

Recommended Products/Accessories

K-23723 Faucet cleaner

Required Products/Accessories

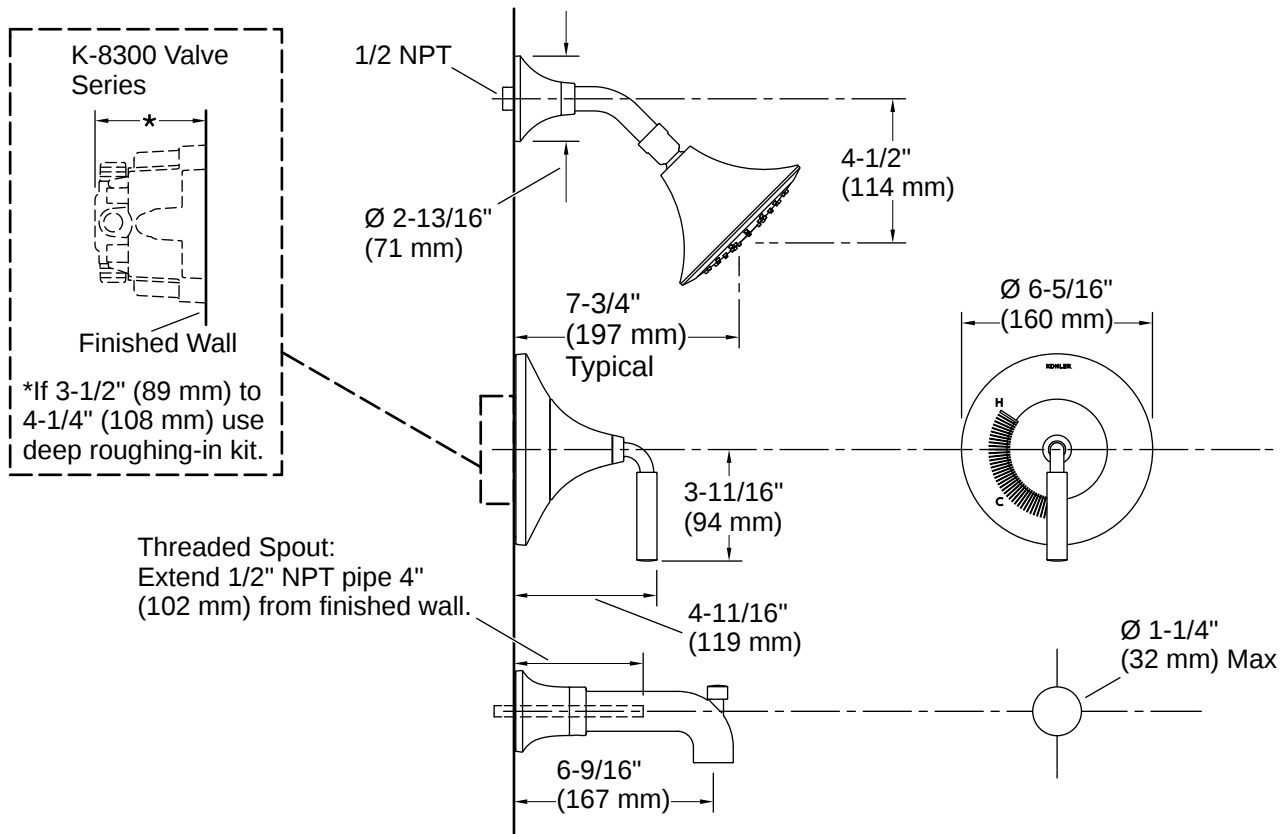
- K-8304 Series Rite-Temp® Valve & Cartridge Kits
- or
- K-8300 Series Rite-Temp® Valve Body Rough-ins
 - K-8305 Series Rite-Temp® Cartridges
- or
- K-8300 Series Rite-Temp® Valve Body Rough-ins (QTY 2)
 - K-8305 Series Rite-Temp® Cartridges

Warranty

See website for detailed warranty information.

KOHLER® Faucet Lifetime Limited Warranty





Installation Notes

Install this product according to the installation instructions.

