



K-TS21947-4Y

Remodel Rite-Temp® shower trim kit, 2.5 gpm

Features

- 12" (305 mm) escutcheon plate covers two-handle valve assembly holes.
- Single lever handle allows for both on/off activation and temperature setting
- Advanced spray engine provides three alternate experiences: wide coverage, intense drenching, and targeted spray
- Wide coverage spray produces an encompassing spray for everyday use
- Intense drenching spray delivers a forceful spray ideal for rinsing shampoo from hair
- Targeted spray is a focused stream for targeting sore muscles or use as a utility spray
- Simple thumb tab smoothly transitions between sprays
- MasterClean™ sprayface features an easy-to-clean surface that withstands mineral buildup and maximizes spray performance
- 2.5 gpm (9.5 lpm) maximum flow rate at 80 psi (5.5 bar)
- Requires Rite-Temp® pressure-balancing valve (sold separately)



Codes/Standards

ASME A112.18.1/CSA B125.1
DOE - Energy Policy Act 1992

Technical Information

All product dimensions are nominal.

Handle

Handle Style/ Type: Lever

Flow Rate

Shower/Rainhead Rated 2.5 gpm (9.5 l/min)

Maximum Flow:

Handshower Rated Maximum 2.5 gpm (9.5 l/min)

Flow:

Valves

Required Valve: Pressure Balance

Material

- Premium material construction for lasting durability
 - KOHLER finishes resist corrosion and tarnishing
-

Recommended Products/Accessories

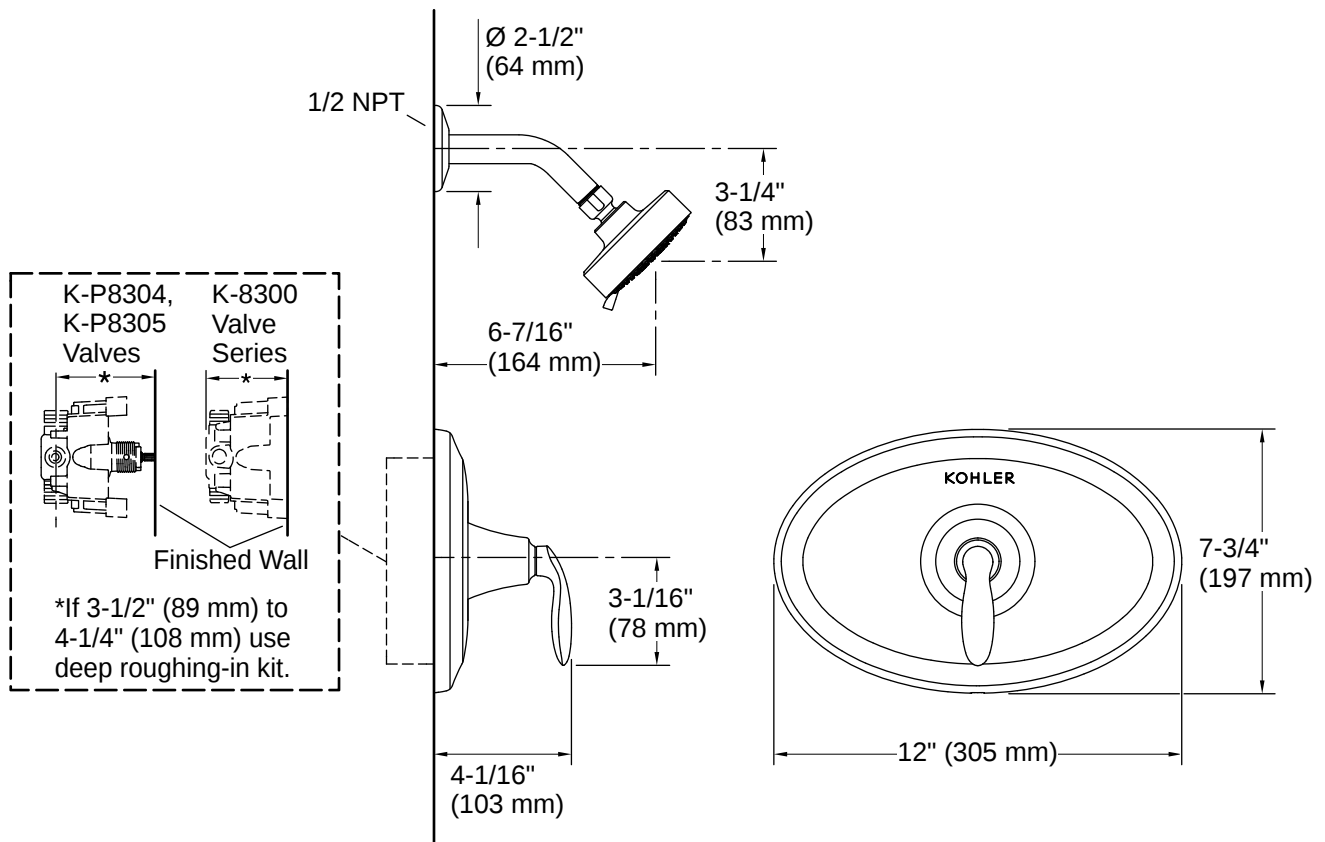
K-23723 Faucet cleaner

Warranty

See website for detailed warranty information.

KOHLER® Faucet Lifetime Limited Warranty





Installation

- Wall-mount
- 1/2" - 14 NPT connection

Installation Notes

Install this product according to the installation instructions.

