

## Forté® | K-TS10275-4

Rite-Temp® bath and shower trim kit, 2.5 gpm, slip-fit spout

### Features

- THIS NEW K-TS10275-4 TRIM REPLACES THE EXISTING K-T10275-4 TRIM. THE NEW TRIM IS IDENTICAL AND INCLUDES TRIM ADAPTER KITS FOR BOTH RITE-TEMP K-304/K-2971 HIFLOW AND THE NEW K-8304 SERIES VALVE
- Pressure-balancing diaphragm technology maintains outlet temperature within +/-3°F during water pressure fluctuations
- Antiscald protection
- A single handle controls both on/off activation and temperature setting
- Includes faceplate with ADA-compliant metal sculpted lever handle
- Includes diverter bath spout with 1/2" copper slip-fit connection
- Includes single-function 2.5 gpm (9.5 lpm) showerhead
- MasterClean™ sprayface features an easy-to-clean surface that withstands mineral buildup and maximizes spray performance
- Includes shower arm and flange
- Coordinates with Forté® faucets, accessories, and showering components to complete your bathroom



## Codes/Standards

ASME A112.18.1/CSA B125.1  
DOE - Energy Policy Act 1992

## Technical Information

*All product dimensions are nominal.*

### Handle

Handle Style/ Type: Lever

### Spout

Spout Reach: 5-1/2" (140 mm)

### Flow Rate

Shower/Rainhead Rated 2.5 gpm (9.5 l/min)  
Maximum Flow:

## Valves

Required Valve: Pressure Balance

## Material

- Premium material construction with metal handle ensures reliability and durability
- KOHLER finishes resist corrosion and tarnishing

## Recommended Products/Accessories

K-23723 Faucet cleaner

## Required Products/Accessories

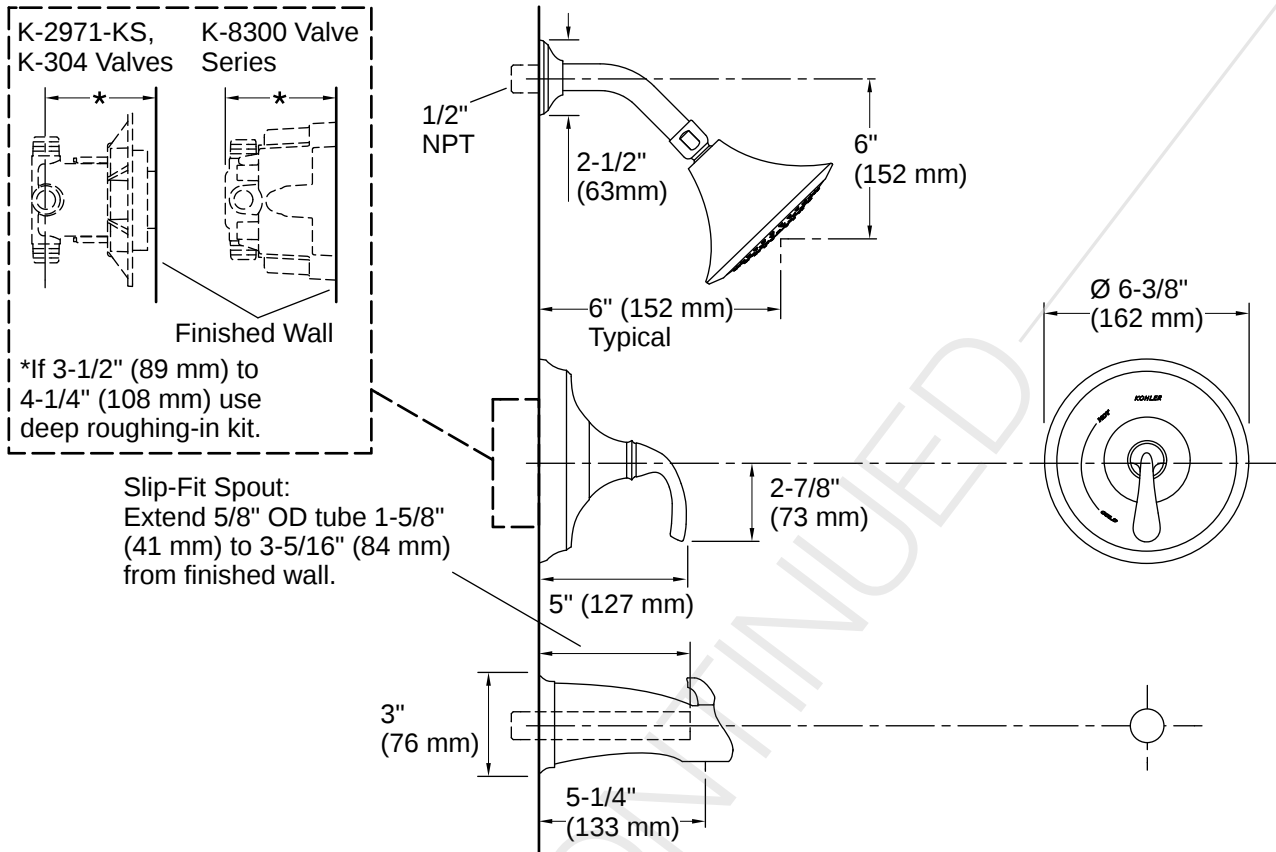
- K-8304 Series Rite-Temp® Valve & Cartridge Kits
- or
- K-8300 Series Rite-Temp® Valve Body Rough-ins
- K-8305 Series Rite-Temp® Cartridges
- or
- K-8300 Series Rite-Temp® Valve Body Rough-ins (QTY 5)
- K-28305 Thermostatic cartridge
- or
- K-28304-K Thermostatic valve body and cartridge kit

## Warranty

*See website for detailed warranty information.*

KOHLER® Faucet Lifetime Limited Warranty





## Installation

- Trim only; requires valve to complete installation (sold separately)

## Installation Notes

*Install this product according to the installation instructions.*

Install the product according to the installation guide.

NOTICE: Risk of product damage. Long screws for installing trim can damage the K-2971-KS valve. Consult the trim installation guide to verify if the thin wall installation kit (88526) is needed.

Install straight pipe or tube drop of 7" (178 mm) to 18" (457 mm) with single elbow between the valve and the wall-mount spout. Elbow must be a 90 degree drop ell that is secured to rigid framing.

