

## July® | K-TLS98009-4

Rite-Temp® shower trim kit, without showerhead

### Features

- Includes faceplate with handle, shower arm and flange
- A single handle controls both on/off activation and temperature setting
- For use with any KOHLER showerhead
- Complements July faucets



### Available Colors/Finishes

*Color tiles intended for reference only.*

- CP Polished Chrome



---

## Codes/Standards

ASME A112.18.1/CSA B125.1

---

## Technical Information

*All product dimensions are nominal.*

### Handle

Handle Style/ Type:                      Lever

---

## Valves

Required Valve:                      Pressure Balance

---

## Material

- Premium material construction with metal handle ensures reliability and durability
  - KOHLER finishes resist corrosion and tarnishing
- 

## Recommended Products/Accessories

K-23723 Faucet cleaner

---

## Required Products/Accessories

- K-8304 Series Rite-Temp® Valve & Cartridge Kits
- or
- K-8300 Series Rite-Temp® Valve Body Rough-ins
  - K-8305 Series Rite-Temp® Cartridges
- or
- K-8300 Series Rite-Temp® Valve Body Rough-ins (QTY 2)
  - K-8305 Series Rite-Temp® Cartridges
- 

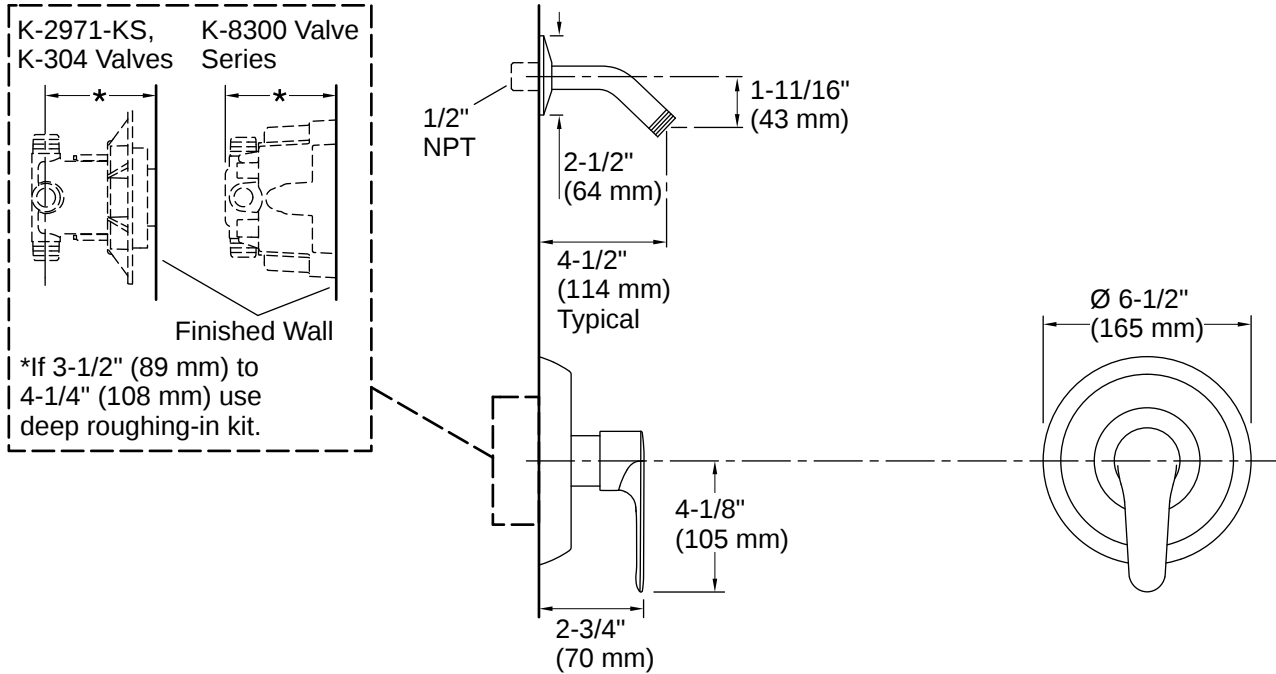
## Warranty

*See website for detailed warranty information.*

KOHLER® Faucet Lifetime Limited Warranty

---





## Installation

- Trim only; requires valve to complete installation (sold separately)

## Installation Notes

*Install this product according to the installation instructions.*

Install the product according to the installation guide.

NOTICE: Risk of product damage. Long screws for installing trim can damage the K-2971-KS valve. Consult the trim installation guide to verify if the thin wall installation kit (88526) is needed.

