

Artifacts® | K-T72770-3

MasterShower® transfer valve trim with cross handle

Features

- Valve (sold separately) can be configured on site for 2- or 3-outlet operation
- Complements Artifacts faucets and accessories
- Trim only; requires K-728-K two- or three-way transfer valve, or K-737-K two- or three-way diverter valve (sold separately)



Available Colors/Finishes

Color tiles intended for reference only.

- | | |
|-----|-------------------------------|
| CP | Polished Chrome |
| SN | Vibrant Polished Nickel |
| AF | Vibrant French Gold |
| BN | Vibrant Brushed Nickel |
| BV | Vibrant Brushed Bronze |
| BL | Matte Black |
| 2MB | Vibrant Brushed Moderne Brass |
| TT | Vibrant Titanium |



1-800-4KOHLER (1-800-456-4537)

Kohler Co. reserves the right to make revisions without notice to product specifications.
For the most current specification sheet, go to www.kohler.com USA or www.kohler.ca Canada.
4-14-2026 4:15 - US-CA

Codes/Standards

ADA compliant when installed to the specific requirements of these regulations.

ADA

ASME A112.18.1/CSA B125.1

ADA

ICC/ANSI A117.1

Technical Information

All product dimensions are nominal.

Handle

Handle Style/ Type: Cross

Valves

Required Valve: Transfer

Material

- KOHLER finishes resist corrosion and tarnishing
 - Premium material construction with metal handle ensures reliability and durability
-

Recommended Products/Accessories

K-23723 Faucet cleaner

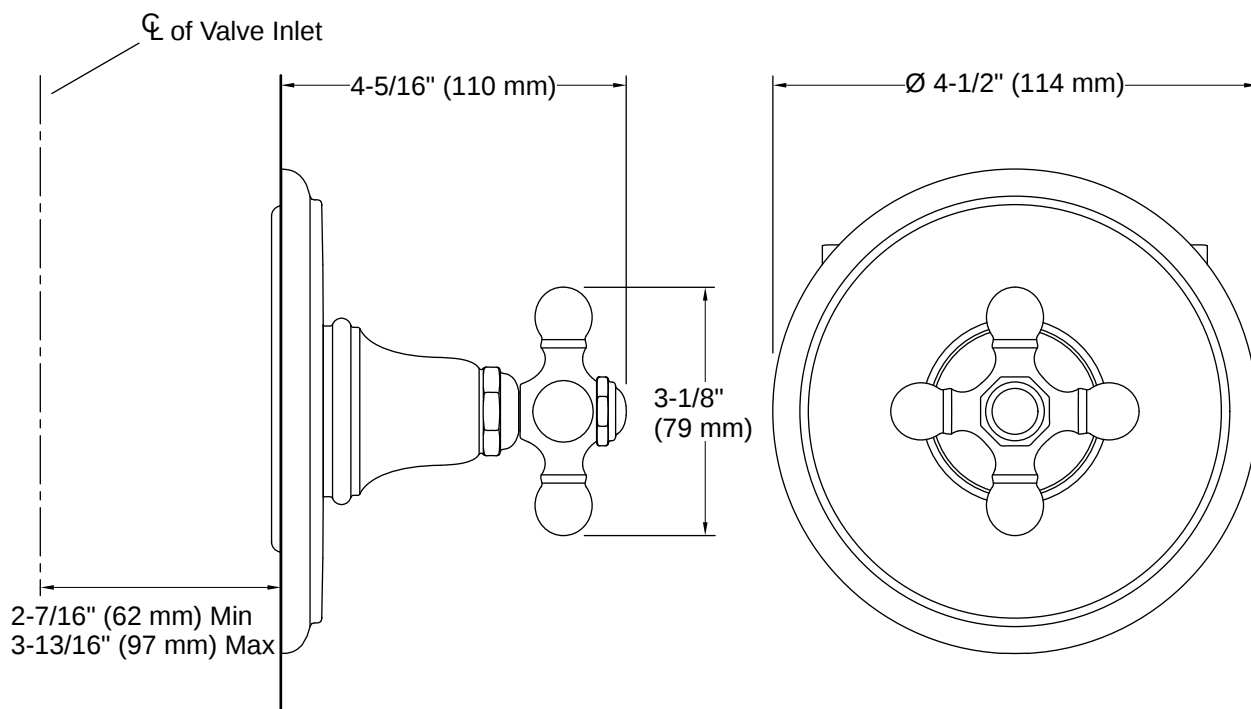
Warranty

See website for detailed warranty information.

KOHLER® Faucet Lifetime Limited Warranty



1-800-4KOHLER (1-800-456-4537)
Kohler Co. reserves the right to make revisions without notice to product specifications.
For the most current specification sheet, go to www.kohler.com USA or www.kohler.ca Canada.
4-14-2026 4:15 - US-CA



Installation

- Trim only; requires valve to complete installation (sold separately)
- Patented K-joint installation technology ensures consistent trim appearance, regardless of variability in valve rough-in

Installation Notes

Install this product according to the installation instructions.

ADA compliant when installed to the specific requirements of these regulations.

