



Pitch® | K-T49988-4

Rite-Temp® valve trim with push-button diverter

Features

- Faceplate with handle and push-button diverter
- A single handle controls both on/off activation and temperature setting
- Coordinates with products in the Hint® collection



Available Colors/Finishes

Color tiles intended for reference only.

- CP Polished Chrome
- BN Vibrant Brushed Nickel
- BL Matte Black
- 2MB Vibrant Brushed Moderne Brass



1-800-4KOHLER (1-800-456-4537)
Kohler Co. reserves the right to make revisions without notice to product specifications.
For the most current specification sheet, go to www.kohler.com USA or www.kohler.ca Canada.
4-15-2026 6:46 - US-CA

THE BOLD LOOK
OF **KOHLER**

Codes/Standards

ADA, OBC, CSA B651 compliant when installed to the specific requirements of these regulations.

ADA CSA B651 OBC

ASME A112.18.1/CSA B125.1
ADA
ICC/ANSI A117.1
CSA B651
OBC

Technical Information

All product dimensions are nominal.

Handle

Handle Style/ Type: Lever

Valves

Included Valves: Diverter, Pressure Balance

Material

- Premium material construction for durability and reliability
 - KOHLER finishes resist corrosion and tarnishing
-

Recommended Products/Accessories

K-23723 Faucet cleaner

Required Products/Accessories

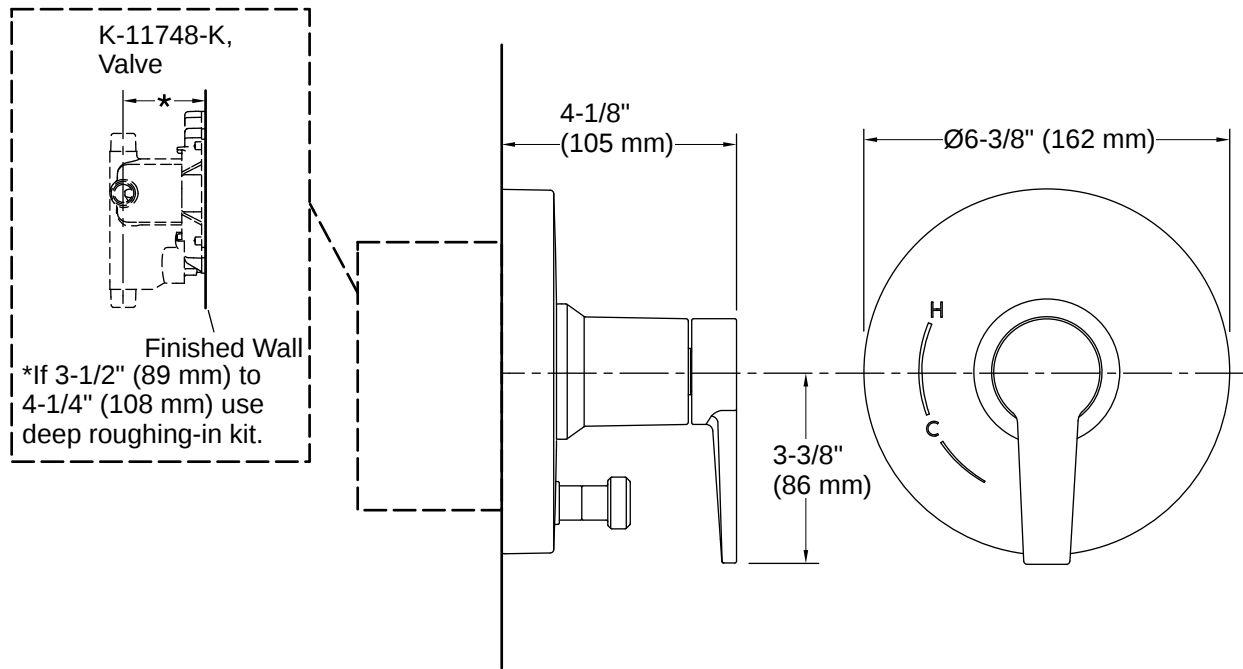
- K-11748 Series Rite-Temp® Valves
-

Warranty

See website for detailed warranty information.

KOHLER® Faucet Lifetime Limited Warranty





Installation

- Wall-mount
- Trim only; requires K-11748-K or K-11748-KS Rite-Temp pressure-balancing valve (sold separately)

Installation Notes

Install this product according to the installation instructions.

Avoid cross-flow conditions. Do not install a shut-off device on either valve outlet.

ADA, OBC, CSA B651 compliant when installed to the specific requirements of these regulations.

