

## Pitch® | K-T49980-4Y

Rite-Temp® bath and shower trim kit with push-button diverter and lever handle, 2.5 gpm

### Features

- Faceplate with handle and push-button diverter
- A single handle controls both on/off activation and temperature setting
- Pressure-balancing diaphragm technology maintains outlet temperature within +/-3°F during water pressure fluctuations
- Single-function 2.5 gpm (9.5 lpm) showerhead
- 2.5 gpm (9.5 lpm) maximum flow rate at 60 psi (4.14 bar)
- 5-15/16" (151 mm) nondiverter bath spout with slip-fit connection
- Box includes: Showerhead, faceplate with lever handle and diverter, shower arm with flange, bath spout
- Coordinates with products in the Hint® collection



### Available Colors/Finishes

*Color tiles intended for reference only.*

- CP Polished Chrome
- BN Vibrant Brushed Nickel
- BL Matte Black
- 2MB Vibrant Brushed Moderne Brass



## Codes/Standards

ASME A112.18.1/CSA B125.1  
DOE - Energy Policy Act 1992

---

## Technical Information

*All product dimensions are nominal.*

### Handle

Handle Style/ Type:                      Lever

### Spout

Spout Reach:                                5-15/16" (151 mm)

### Flow Rate

Shower/Rainhead Rated                2.5 gpm (9.5 l/min)  
Maximum Flow:

---

## Valves

Included Valves:                          Diverter, Pressure Balance

---

## Material

- Premium material construction for durability and reliability
  - KOHLER finishes resist corrosion and tarnishing
- 

## Recommended Products/Accessories

K-23723 Faucet cleaner

---

## Required Products/Accessories

- K-11748 Series Rite-Temp® Valves
- 

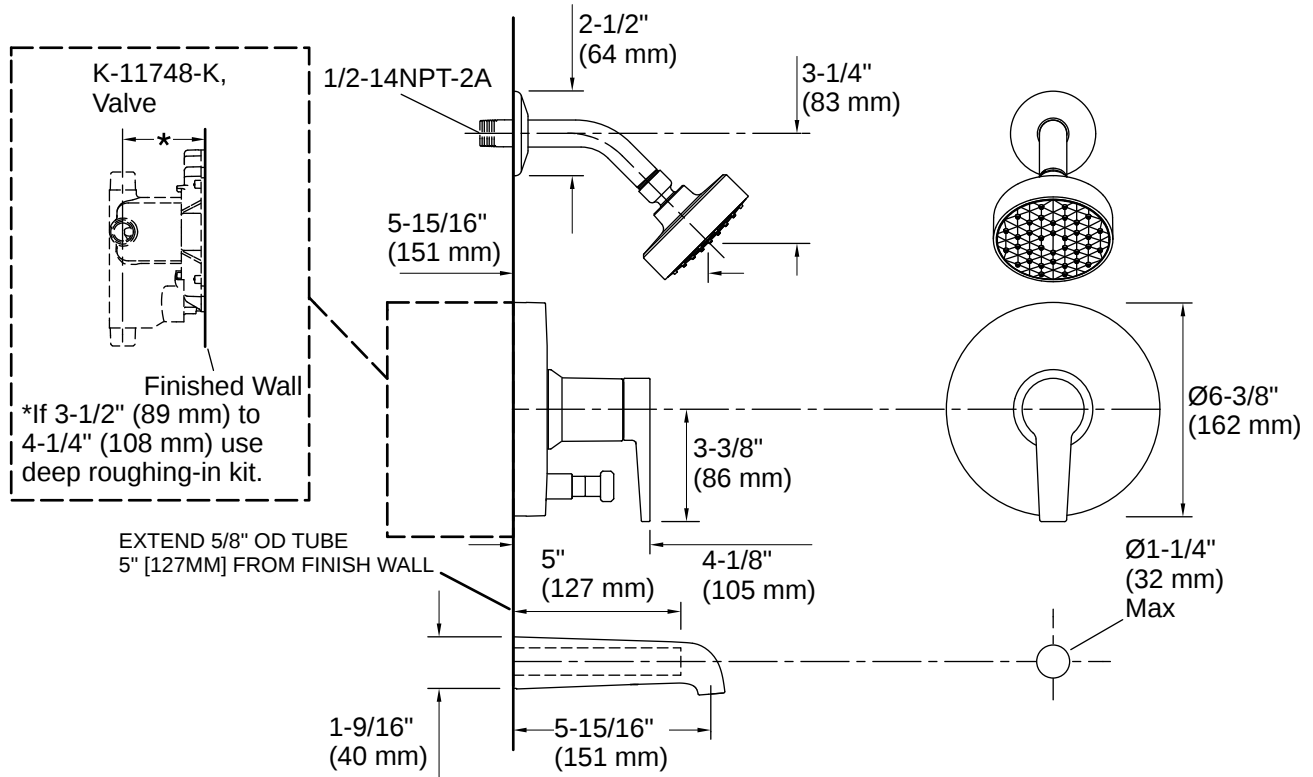
## Warranty

*See website for detailed warranty information.*

KOHLER® Faucet Lifetime Limited Warranty

---





### Installation

- Wall-mount
- Trim only; requires K-11748-K or K-11748-KS Rite-Temp pressure-balancing valve (sold separately)

### Installation Notes

*Install this product according to the installation instructions.*

Avoid cross-flow conditions. Do not install a shut-off device on either valve outlet.

