



Buckley™ | K-T35944-4Y

Rite-Temp® bath and shower trim kit with push-button diverter, 2.5 gpm

Features

- Single-function 2.5 gpm (9.5 lpm) showerhead
- MasterClean™ sprayface features an easy-to-clean surface that withstands mineral buildup and maximizes spray performance
- A single handle controls both on/off activation and temperature setting
- 6-3/8" (162 mm) non-diverter bath spout with slip-fit connection
- Box includes: Showerhead, faceplate with lever handle and diverter, shower arm with flange, bath spout
- Requires valve (sold separately)
- Coordinates with other products in the Buckley collection



Available Colors/Finishes

Color tiles intended for reference only.

- CP Polished Chrome
- BN Vibrant Brushed Nickel
- BL Matte Black



1-800-4KOHLER (1-800-456-4537)
Kohler Co. reserves the right to make revisions without notice to product specifications.
For the most current specification sheet, go to www.kohler.com USA or www.kohler.ca Canada.
4-15-2026 2:41 - US-CA

THE BOLD LOOK
OF **KOHLER**®

Codes/Standards

ASME A112.18.1/CSA B125.1
DOE - Energy Policy Act 1992

Technical Information

All product dimensions are nominal.

Handle

Handle Style/ Type: Lever

Spout

Spout Reach: 6-3/8" (163 mm)

Flow Rate

Shower/Rainhead Rated 2.5 gpm (9.5 l/min)

Maximum Flow:

Handshower Rated Maximum 2.5 gpm (9.5 l/min)

Flow:

Valves

Included Valves: Diverter, Pressure Balance

Shower Valve

Flow Rate Maximum @ 45 psi: 2.5 gpm (9.5 l/min)

Manufacturer's Minimum 1.3 gpm (4.9 l/min)

Rated Flow:

Pressure: 45 psi (3.1 bar)

Maximum Static Pressure: 125 psi (8.6 bar)

Minimum Operating Pressure: 20 psi (1.4 bar)

Material

- Premium material construction with metal handle ensures reliability and durability
- KOHLER finishes resist corrosion and tarnishing

Required Products/Accessories

- K-11748 Series Rite-Temp® Valves

or

- K-11748 Series Rite-Temp® Valves

Warranty

See website for detailed warranty information.

KOHLER® Faucet Lifetime Limited Warranty

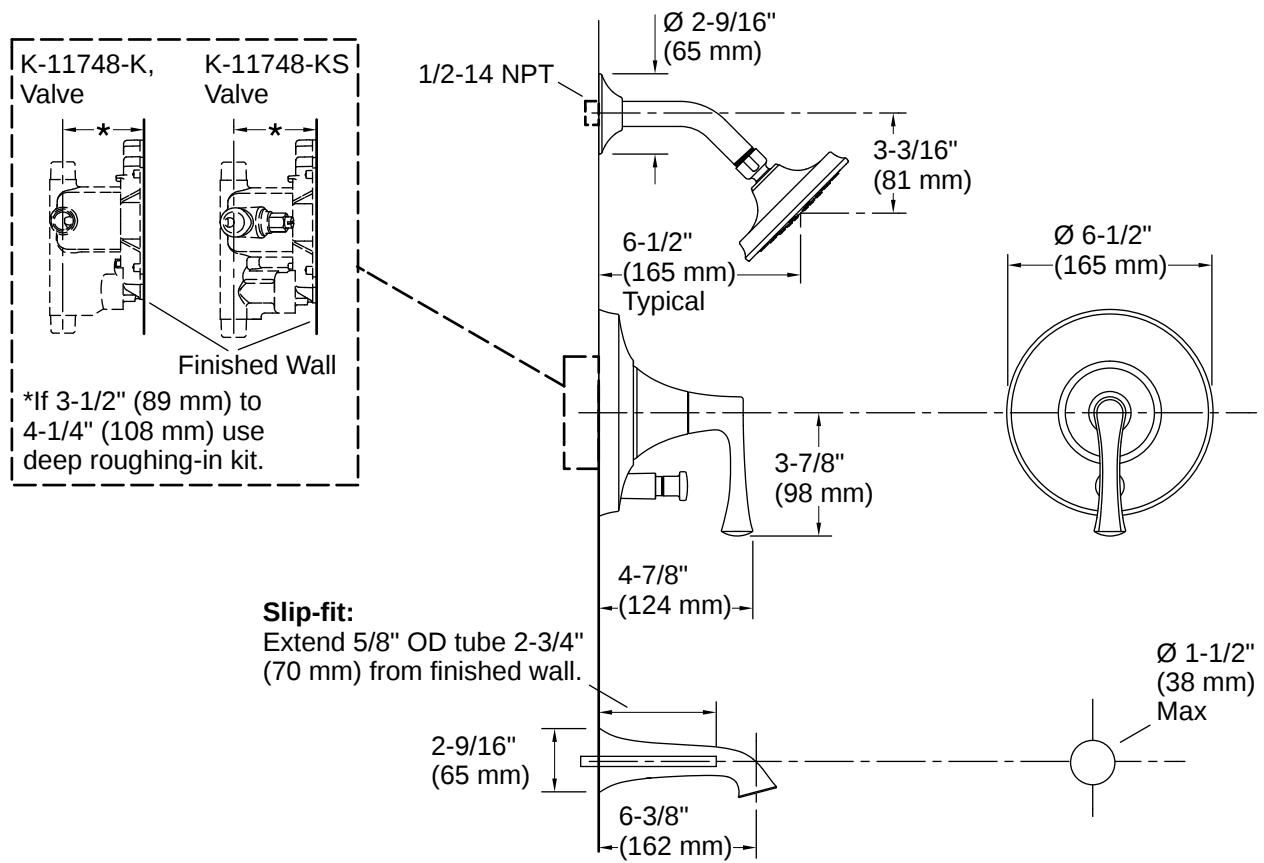


1-800-4KOHLER (1-800-456-4537)

Kohler Co. reserves the right to make revisions without notice to product specifications.

For the most current specification sheet, go to www.kohler.com USA or www.kohler.ca Canada.

4-15-2026 2:41 - US-CA



Installation Notes

Install this product according to the installation instructions.

For use with showerheads or handsprays rated at 1.3 gal/min (4.9 l/min) or higher.

Install straight pipe or tube drop of 7" (178 mm) to 18" (457 mm) with single elbow between the valve and the wall-mount spout.

