

Occasion® | K-T27011-ND

Wall-mount bathroom sink faucet spout with Straight design, 1.2 gpm

Features

- Stationary spout
- 1.2 gpm (4.5 lpm) maximum flow rate at 60 psi (4.14 bar)
- Drain sold separately
- Part of the Occasion bathroom faucet and accessory collection



Sustainability



Available Colors/Finishes

Color tiles intended for reference only.

- CP Polished Chrome
- SN Vibrant Polished Nickel
- AF Vibrant French Gold
- BN Vibrant Brushed Nickel
- BV Vibrant Brushed Bronze
- BL Matte Black
- 2MB Vibrant Brushed Moderne Brass



Codes/Standards



ASME A112.18.1/CSA B125.1
NSF/ANSI/CAN 372
NSF/ANSI/CAN 61
DOE - Energy Policy Act 1992
EPA WaterSense®
California Energy Commission (CEC)

Technical Information

All product dimensions are nominal.

Spout

Spout Reach: 8-5/8" (219 mm)
Drain With Overflow: Yes

Flow Rate

Faucet Flow Rate: 1.2 gpm (4.5 l/min)

Material

- Brass
 - KOHLER finishes resist corrosion and tarnishing
-

Recommended Products/Accessories

K-23726 Drain treatment
K-23723 Faucet cleaner

Required Products/Accessories

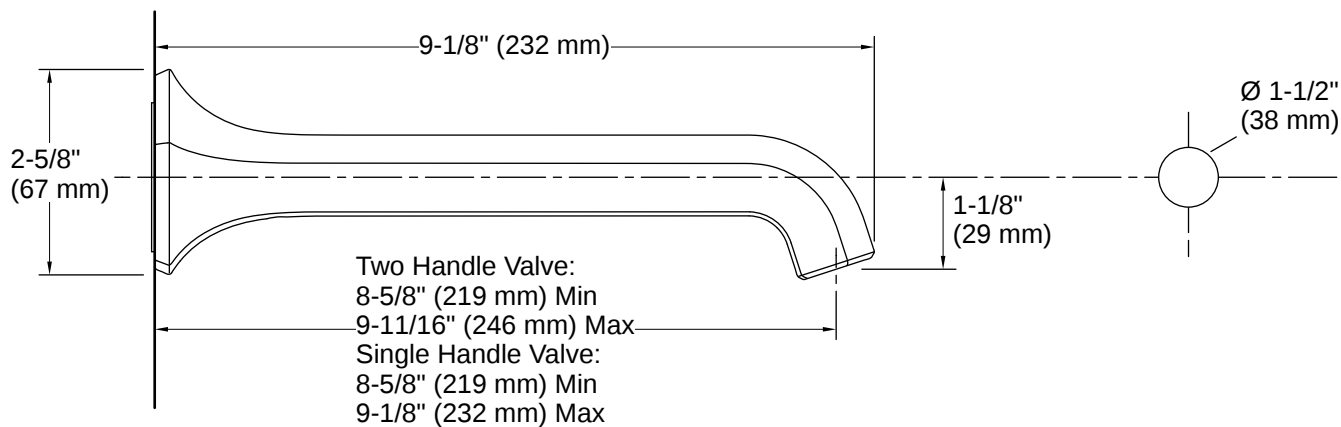
- K-T27013-4 Wall-mount bathroom sink faucet Lever handle trim, 1.2 gpm
- or
- K-T27013-3 Wall-mount bathroom sink faucet Cross handle trim, 1.2 gpm
-

Warranty

See website for detailed warranty information.

KOHLER® Faucet Lifetime Limited Warranty





Installation

- Wall-mount

Installation Notes

Install this product according to the installation instructions.

