

## Components® | K-T23889

Wall-mount bathroom sink faucet spout with Row design, 1.2 gpm

### Features

- Stationary spout
- 1.2 gpm (4.5 lpm) maximum flow rate at 60 psi (4.14 bar)
- Drain sold separately
- Coordinates with other products in the Components collection



### Sustainability



### Available Colors/Finishes

*Color tiles intended for reference only.*

- SN Vibrant Polished Nickel
- AF Vibrant French Gold
- BV Vibrant Brushed Bronze
- BL Matte Black
- 2MB Vibrant Brushed Moderne Brass
- TT Vibrant Titanium
- BGP Vibrant Brushed Graphite



1-800-4KOHLER (1-800-456-4537)

Kohler Co. reserves the right to make revisions without notice to product specifications.  
For the most current specification sheet, go to [www.kohler.com](http://www.kohler.com) USA or [www.kohler.ca](http://www.kohler.ca) Canada.  
4-15-2026 5:37 - US-CA

## Codes/Standards

ADA, OBC, CSA B651 compliant when installed to the specific requirements of these regulations.



ADA    CSA B651    OBC

ASME A112.18.1/CSA B125.1  
 NSF/ANSI/CAN 372  
 NSF/ANSI/CAN 61  
 DOE - Energy Policy Act 1992  
 EPA WaterSense®  
 California Energy Commission (CEC)  
 NSF/ANSI/CAN 61|NSF/ANSI/CAN 372  
 ADA  
 ICC/ANSI A117.1  
 CSA B651  
 OBC

## Technical Information

All product dimensions are nominal.

### Spout

Spout Reach: 10-1/4" (260 mm)

### Flow Rate

Faucet Flow Rate: 1.2 gpm (4.5 l/min)

## Valves

Included Valve: Ceramic disc

## Material

- Brass
- KOHLER finishes resist corrosion and tarnishing

## Recommended Products/Accessories

- K-23726 Drain treatment
- K-78383 Vertical toilet paper holder
- K-78384 Covered double toilet paper holder
- K-23723 Faucet cleaner
- K-78372 18" towel bar
- K-78379 Double towel arm
- K-78373 24" towel bar
- K-78375 Double towel bar
- K-78377 Towel arm
- K-78378 Robe hook
- K-78382 Pivoting toilet paper holder

## Required Products/Accessories

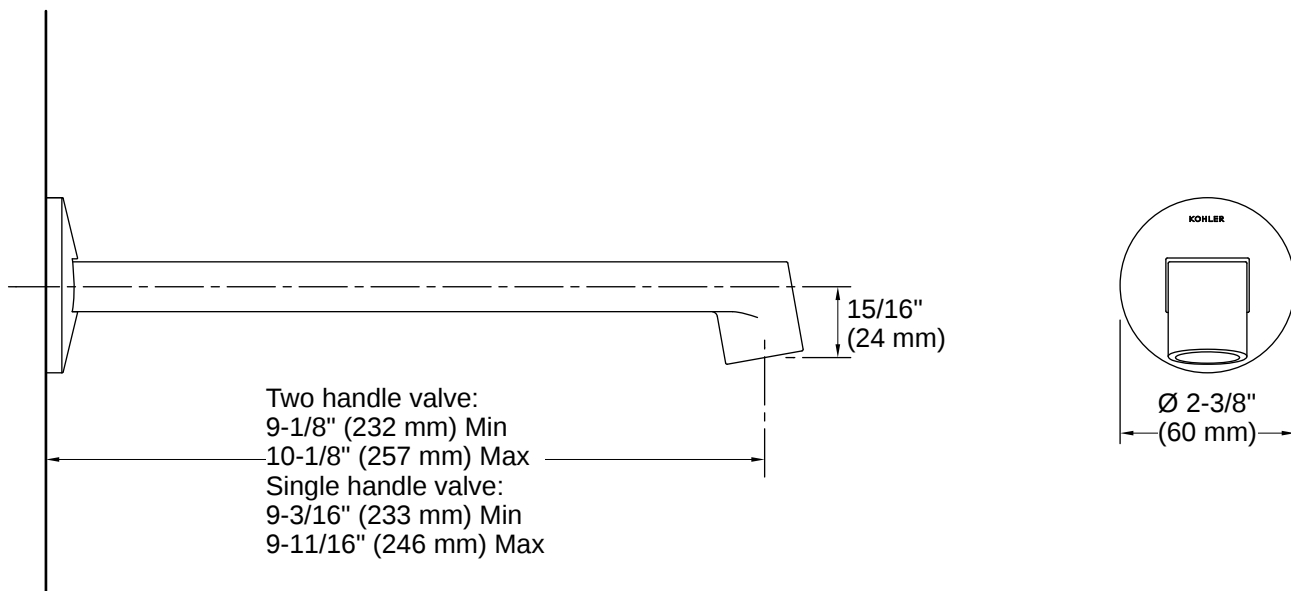
- K-77980-4 Wall-mount bathroom sink faucet handle
- or
- K-77980-4A Wall-mount bathroom sink faucet handle
- or
- K-T77981-4 Wall-mount bathroom sink faucet Lever handle trim
- or
- K-T77981-8 Wall-mount bathroom sink faucet Oyl handle trim
- or
- K-T77981-9 Wall-mount bathroom sink faucet Industrial handle trim

## Warranty

See website for detailed warranty information.

KOHLER® Faucet Lifetime Limited Warranty





### Installation Notes

*Install this product according to the installation instructions.*

ADA, OBC, CSA B651 compliant when installed to the specific requirements of these regulations.

