



# Parallel® | K-T23492-4

Floor-mount bath filler trim with handshower

## Features

- A single handle controls both on/off activation and temperature setting
- 10.0 gpm (3.8 lpm) maximum bath faucet flow rate at 45 psi (3.1 bar)
- 1.75 gpm (6.6 lpm) maximum handshower flow rate at 80 psi (5.5 bar)
- KOHLER® ceramic disc valves exceed industry longevity standards for a lifetime of durable performance
- Coordinates with other products in the Parallel collection



## Sustainability



## Available Colors/Finishes

*Color tiles intended for reference only.*

- SN Vibrant Polished Nickel
- AF Vibrant French Gold
- BV Vibrant Brushed Bronze
- BL Matte Black
- 2MB Vibrant Brushed Moderne Brass
- TT Vibrant Titanium
- BGP Vibrant Brushed Graphite



1-800-4KOHLER (1-800-456-4537)  
Kohler Co. reserves the right to make revisions without notice to product specifications.  
For the most current specification sheet, go to [www.kohler.com](http://www.kohler.com) USA or [www.kohler.ca](http://www.kohler.ca) Canada.  
4-15-2026 2:17 - US-CA

THE BOLD LOOK  
OF **KOHLER**®

## Codes/Standards



ASME A112.18.1/CSA B125.1  
DOE - Energy Policy Act 1992  
EPA WaterSense®  
California Energy Commission (CEC)

## Technical Information

*All product dimensions are nominal.*

### Handle

Handle Style/ Type: Lever

### Spout

Spout Reach: 8-11/16" (220 mm)

### Flow Rate

Faucet Flow Rate: 10 gpm (37.9 l/min)

Handshower Rated Maximum Flow: 1.75 gpm (6.6 l/min)

## Valves

Included Valves: Thermostatic, Volume Control

## Material

- Premium metal construction for durability and reliability
- KOHLER finishes resist corrosion and tarnishing

## Recommended Products/Accessories

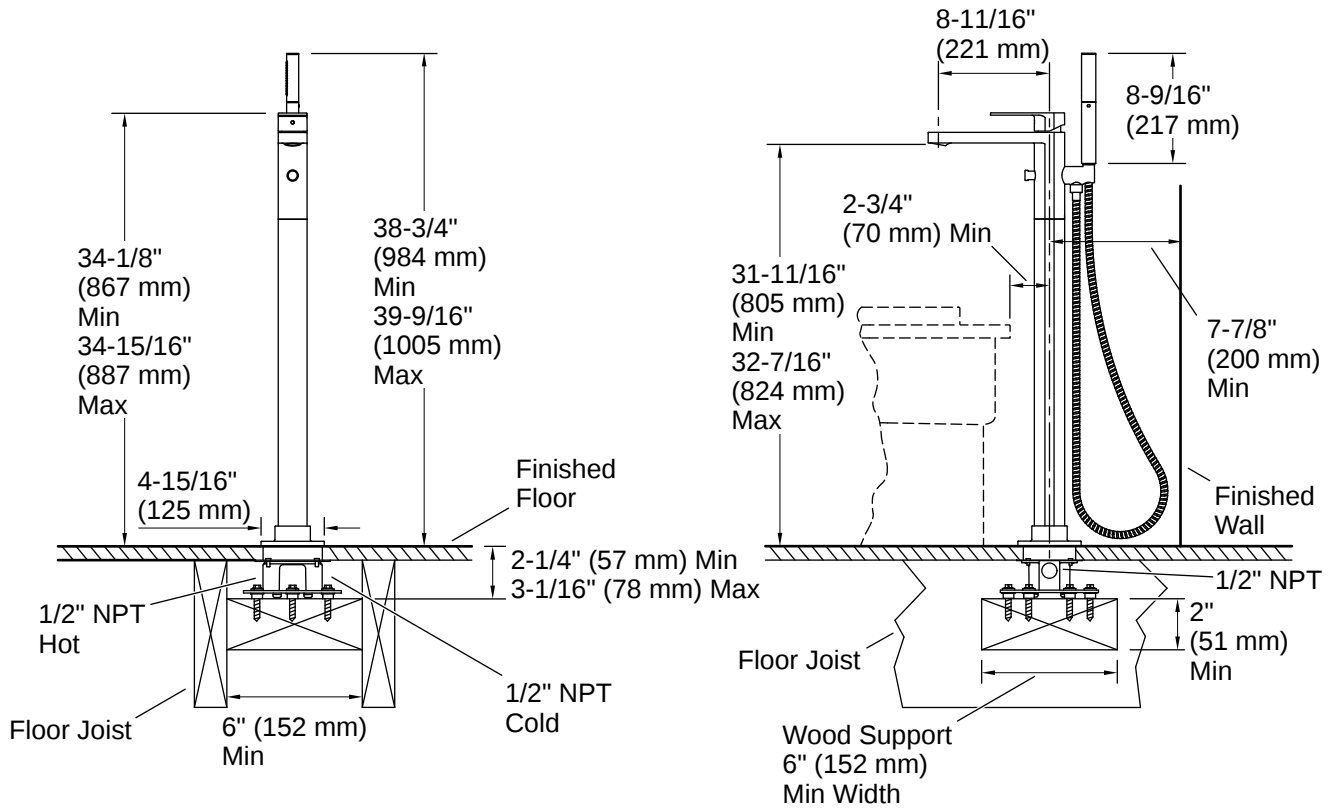
- K-23726 Drain treatment
- K-23723 Faucet cleaner
- K-21897 Double toilet paper holder
- K-23527 Vertical toilet paper holder
- K-23529 Robe hook
- K-23524 18" towel bar
- K-23525 24" towel bar
- K-23526 Towel arm
- K-23528 Pivoting toilet paper holder

## Warranty

*See website for detailed warranty information.*

KOHLER® Faucet Lifetime Limited Warranty





## Installation

- Floor-mount

## Installation Notes

*Install this product according to the installation instructions.*

Adequate floor support is required. The wood support must be a minimum of 2" (51 mm) thick by 6" (152 mm) wide. 2x6 lumber is NOT adequate for this application.

Concrete can be used as the floor support. Requires 3/16" masonry drill bit and six 1/4" x 1-3/4" concrete screws, not included.

