



# Loure® | K-T14665-4

Rite-Temp® shower trim kit with push-button diverter, 2.5 gpm

## Features

- Includes valve trim with handle, bath spout, shower arm and flange, and showerhead
- A single handle controls both on/off activation and temperature setting
- Integrated push-button diverter
- Optimal water coverage provided by large showerhead diameter
- MasterClean™ sprayface features an easy-to-clean surface that withstands mineral buildup and maximizes spray performance
- Coordinates with Loure faucets, accessories, and showering components to complete your bathroom
- Pressure-balancing diaphragm technology maintains outlet temperature within +/-3°F during water pressure fluctuations
- Ease of installation with slip-fit connection



## Available Colors/Finishes

*Color tiles intended for reference only.*

- CP Polished Chrome
- BN Vibrant Brushed Nickel



1-800-4KOHLER (1-800-456-4537)  
Kohler Co. reserves the right to make revisions without notice to product specifications.  
For the most current specification sheet, go to [www.kohler.com](http://www.kohler.com) USA or [www.kohler.ca](http://www.kohler.ca) Canada.  
4-15-2026 4:45 - US-CA

THE BOLD LOOK  
OF **KOHLER**®

## Codes/Standards

ASME A112.18.1/CSA B125.1

---

## Technical Information

*All product dimensions are nominal.*

### Handle

Handle Style/ Type:                      Lever

### Flow Rate

Shower/Rainhead Rated                      2.5 gpm (9.5 l/min)  
Maximum Flow:

---

## Valves

Required Valves:                      Diverter, Pressure Balance

---

## Material

- Premium material construction with metal handle ensures reliability and durability
  - KOHLER finishes resist corrosion and tarnishing
- 

## Recommended Products/Accessories

K-23723 Faucet cleaner

---

## Required Products/Accessories

- K-11748 Series Rite-Temp® Valves
- 

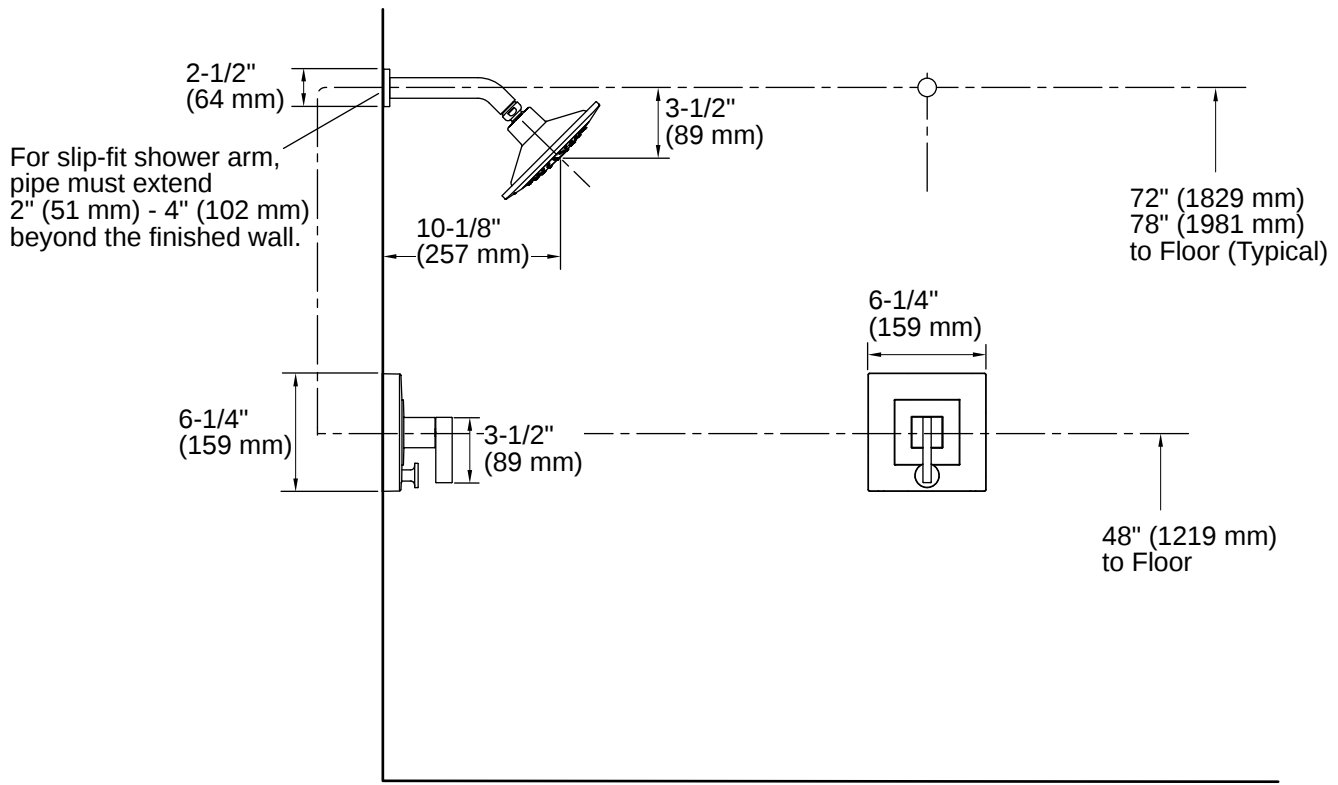
## Warranty

*See website for detailed warranty information.*

KOHLER® Faucet Lifetime Limited Warranty

---





## Installation

- Trim only; requires valve to complete installation (sold separately)

## Installation Notes

*Install this product according to the installation instructions.*

Avoid cross-flow conditions. Do not install a shut-off device on either valve outlet.

