



# Loure® | K-T14665-4L

Rite-Temp® shower trim kit with push-button diverter, without showerhead

## Features

- Includes faceplate with ADA-compliant metal lever handle and push-button diverter
- A single handle controls both on/off activation and temperature setting
- Antiscald protection
- Integrated push-button diverter
- Includes shower arm and flange
- For use with any KOHLER showerhead (sold separately)
- Complements Loure faucets and accessories
- Pressure-balancing diaphragm technology maintains outlet temperature within +/-3°F during water pressure fluctuations



## Available Colors/Finishes

*Color tiles intended for reference only.*

- CP Polished Chrome
- SN Vibrant Polished Nickel
- BN Vibrant Brushed Nickel



1-800-4KOHLER (1-800-456-4537)  
Kohler Co. reserves the right to make revisions without notice to product specifications.  
For the most current specification sheet, go to [www.kohler.com](http://www.kohler.com) USA or [www.kohler.ca](http://www.kohler.ca) Canada.  
4-15-2026 4:55 - US-CA

THE BOLD LOOK  
OF **KOHLER**

---

## Codes/Standards

ASME A112.18.1/CSA B125.1

---

## Technical Information

*All product dimensions are nominal.*

### Handle

Handle Style/ Type:                      Lever

---

## Valves

Required Valves:                      Diverter, Pressure Balance

---

## Material

- Premium material construction with metal handle ensures reliability and durability
  - KOHLER finishes resist corrosion and tarnishing
- 

## Recommended Products/Accessories

K-23723 Faucet cleaner

---

## Required Products/Accessories

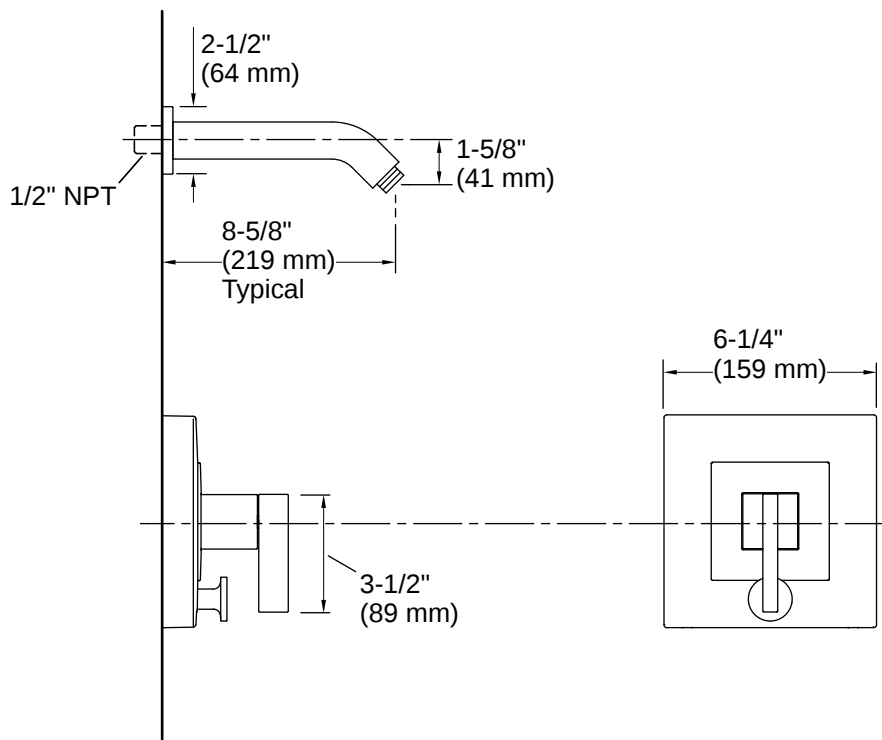
- K-11748 Series Rite-Temp® Valves
- 

## Warranty

*See website for detailed warranty information.*

KOHLER® Faucet Lifetime Limited Warranty





## Installation

- Trim only; requires valve to complete installation (sold separately)

## Installation Notes

*Install this product according to the installation instructions.*

Avoid cross-flow conditions. Do not install shut-off device on either valve outlet.

