

Purist® | K-T14413-3

Wall-mount bathroom sink faucet trim with Cross handles, 1.2 gpm

Features

- Dual-control wall-mounted
- Cross handles
- Stationary spout
- Less drain
- 6-3/4" (171 mm) Max 35° spout from wall to center of drain
- 1.2 gpm (4.5 lpm) maximum flow rate at 60 psi (4.14 bar)
- Valve sold separately



Sustainability



Available Colors/Finishes

Color tiles intended for reference only.

- CP Polished Chrome
- SN Vibrant Polished Nickel
- AF Vibrant French Gold
- BN Vibrant Brushed Nickel
- BV Vibrant Brushed Bronze
- BL Matte Black
- 2MB Vibrant Brushed Moderne Brass
- TT Vibrant Titanium
- BGP Vibrant Brushed Graphite



1-800-4KOHLER (1-800-456-4537)

Kohler Co. reserves the right to make revisions without notice to product specifications.
For the most current specification sheet, go to www.kohler.com USA or www.kohler.ca Canada.
4-15-2026 2:10 - US-CA

Codes/Standards

ADA compliant when installed to the specific requirements of these regulations.



ADA

ASME A112.18.1/CSA B125.1
NSF/ANSI/CAN 372
NSF/ANSI/CAN 61
DOE - Energy Policy Act 1992
EPA WaterSense®
California Energy Commission (CEC)
ADA
ICC/ANSI A117.1

Technical Information

All product dimensions are nominal.

Handle

Handle Style/ Type: Cross

Spout

Spout Reach: 6-3/4" (171 mm)

Drain With Overflow: No

Flow Rate

Faucet Flow Rate: 1.2 gpm (4.5 l/min)

Valves

Included Valve: Ceramic disc

Material

- Brass
- KOHLER finishes resist corrosion and tarnishing

Recommended Products/Accessories

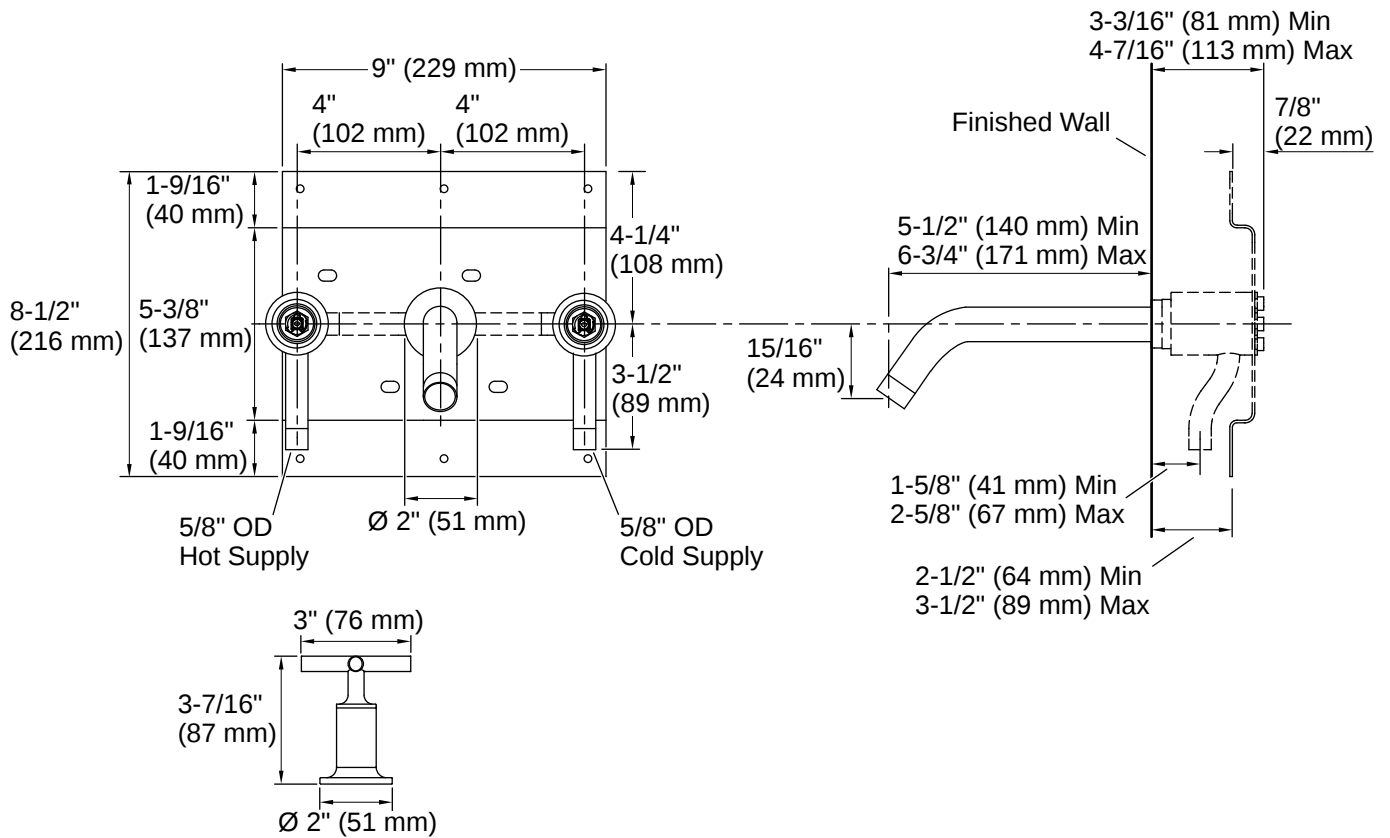
K-23726 Drain treatment
K-23723 Faucet cleaner
K-14375 24" Double towel bar
K-14377 Pivoting toilet paper holder
K-14435 18" towel bar
K-14436 24" towel bar
K-14441 Towel ring
K-14443 Robe hook
K-14444 Vertical toilet paper holder

Warranty

See website for detailed warranty information.

KOHLER® Faucet Lifetime Limited Warranty





Installation Notes

Install this product according to the installation instructions.

The distance between the bottom of spout and top of the fixture rim must not be less than 1-1/2" (38 mm) and not greater than 6" (152 mm).

Three 1-1/2" (38 mm) diameter cutout holes are required for spout and handles.

ADA compliant for handles only.

ADA compliant when installed to the specific requirements of these regulations.

