



# Pinstripe® Pure | K-T13175-3A

MasterShower® transfer valve trim cross handle

## Features

- Includes faceplate with handle
- Single handle controls flow to outlets
- Supplied with ADA-compliant metal Pure design cross handle
- Valve (sold separately) can be configured on site for 2- or 3-outlet operation
- 360° handle rotation with three-outlet operation
- 120° handle rotation with two-outlet operation
- Complements Pinstripe faucets and accessories
- Trim only; requires K-728-K two- or three-way transfer valve, or K-737-K two- or three-way diverter valve (sold separately)



## Available Colors/Finishes

*Color tiles intended for reference only.*

- CP Polished Chrome
- SN Vibrant Polished Nickel
- BN Vibrant Brushed Nickel



1-800-4KOHLER (1-800-456-4537)  
Kohler Co. reserves the right to make revisions without notice to product specifications.  
For the most current specification sheet, go to [www.kohler.com](http://www.kohler.com) USA or [www.kohler.ca](http://www.kohler.ca) Canada.  
4-15-2026 3:59 - US-CA

THE BOLD LOOK  
OF **KOHLER**®

---

## Codes/Standards

*ADA compliant when installed to the specific requirements of these regulations.*

ADA

ASME A112.18.1/CSA B125.1

ADA

ICC/ANSI A117.1

---

## Technical Information

*All product dimensions are nominal.*

### Handle

Handle Style/ Type: Cross

---

## Valves

Required Valve: Transfer

---

## Material

- Premium material construction with metal handle ensures reliability and durability
  - KOHLER finishes resist corrosion and tarnishing
- 

## Recommended Products/Accessories

K-23723 Faucet cleaner

---

## Required Products/Accessories

- K-728-K 3/4" 2- or 3-way transfer valve

or

- K-737-K 2- or 3-way diverter valve
- 

## Warranty

*See website for detailed warranty information.*

KOHLER® Faucet Lifetime Limited Warranty

---

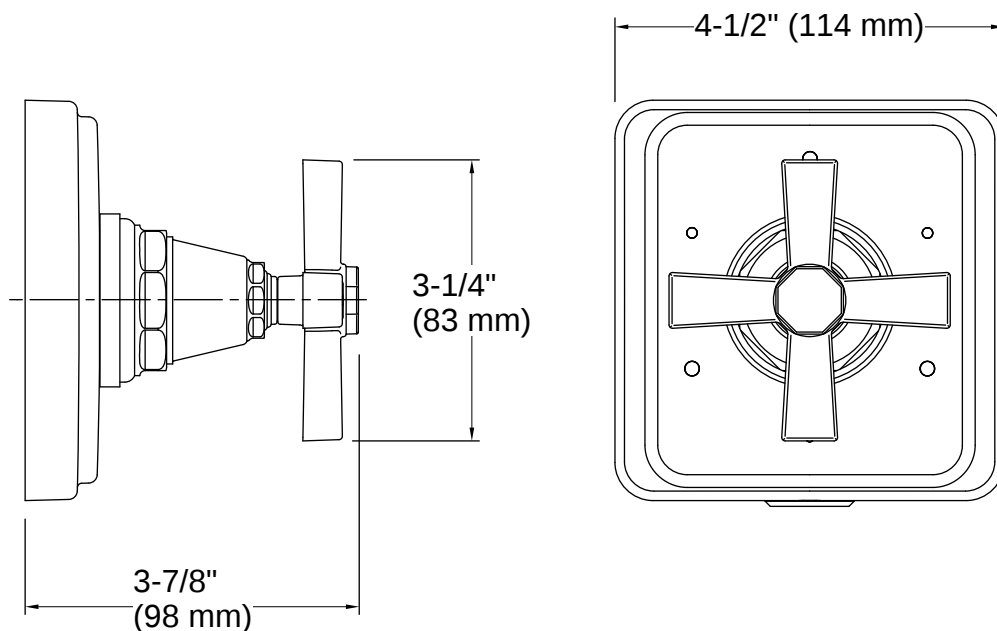


1-800-4KOHLER (1-800-456-4537)

Kohler Co. reserves the right to make revisions without notice to product specifications.

For the most current specification sheet, go to [www.kohler.com](http://www.kohler.com) USA or [www.kohler.ca](http://www.kohler.ca) Canada.

4-15-2026 3:59 - US-CA



## Installation

- Trim only; requires valve to complete installation (sold separately)
- Patented K-joint installation technology ensures consistent trim appearance, regardless of variability in valve rough-in

## Installation Notes

*Install this product according to the installation instructions.*

ADA compliant when installed to the specific requirements of these regulations.

