



Pinstripe® Pure | K-T13133-3A

Rite-Temp® bath and shower trim kit with push-button diverter and cross handle, 2.5 gpm

Features

- Cross handle
- 6-7/8" (175 mm) nondiverter spout with 1/2" NPT connection
- Requires a Rite-Temp® pressure-balancing valve
- For use with valves with a diverter
- Completes Pinstripe design solution with KOHLER fixtures and accessories
- Rite-Temp® pressure-balancing technology maintains water temperature within +/- 3°F



Available Colors/Finishes

Color tiles intended for reference only.

- CP Polished Chrome
- SN Vibrant Polished Nickel
- BN Vibrant Brushed Nickel



1-800-4KOHLER (1-800-456-4537)
Kohler Co. reserves the right to make revisions without notice to product specifications.
For the most current specification sheet, go to www.kohler.com USA or www.kohler.ca Canada.
4-15-2026 4:9 - US-CA

THE BOLD LOOK
OF **KOHLER**

Codes/Standards

ASME A112.18.1/CSA B125.1
DOE - Energy Policy Act 1992

Technical Information

All product dimensions are nominal.

Handle

Handle Style/ Type: Cross

Spout

Spout Reach: 6-7/8" (175 mm)

Flow Rate

Shower/Rainhead Rated 2.5 gpm (9.5 l/min)

Maximum Flow:

Valves

Included Valves: Diverter, Pressure Balance

Material

- Premium material construction for durability and reliability
-

Recommended Products/Accessories

K-23723 Faucet cleaner

Required Products/Accessories

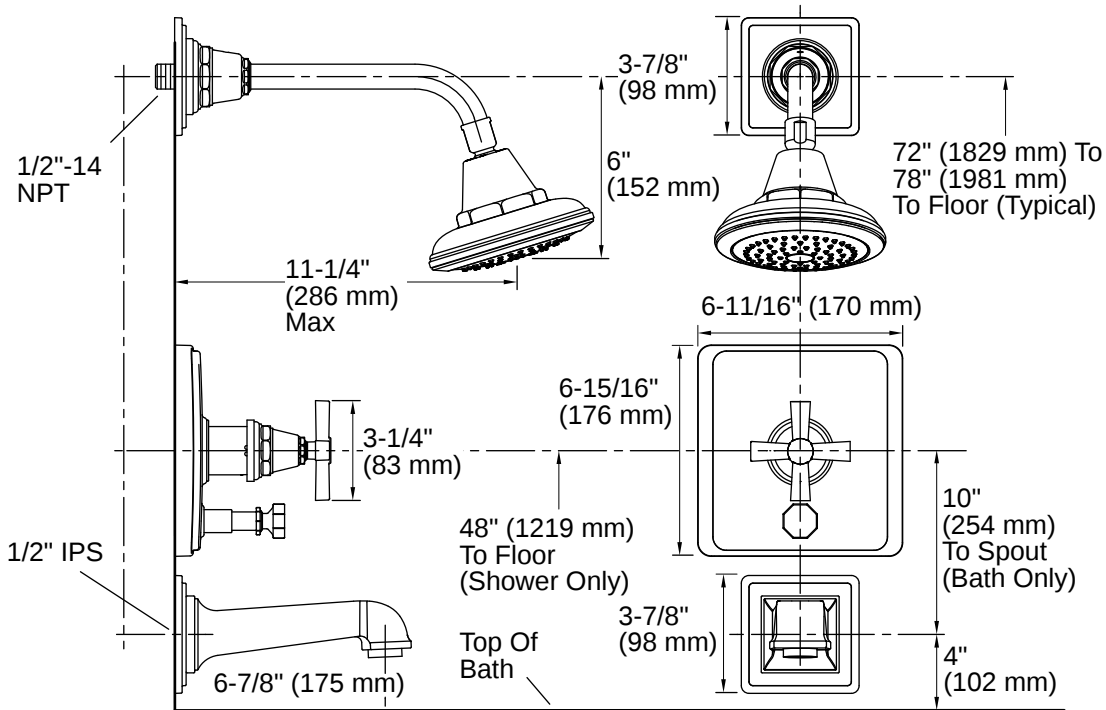
- K-11748 Series Rite-Temp® Valves
-

Warranty

See website for detailed warranty information.

KOHLER® Faucet Lifetime Limited Warranty





Installation

- Wall-mount

Installation Notes

Install this product according to the installation instructions.

Avoid cross-flow conditions. Do not install shut-off device on either valve outlet.

Cap the shower outlet if deck-mount spout, diverter, or handshower is connected to the spout outlet.

Install straight pipe or tube drop of 7" (178 mm) to 18" (457 mm) with single elbow between the valve and wall-mount spout.

