



# Highcliff™ Ultra | K-PR96057-T3D

Commercial toilet with Mach® Tripoint® touchless DC 1.0 gpf flushometer

## Features

- Fixture and touchless flushometer combination is engineered for optimal performance
- Elongated bowl offers added room and comfort
- 2-1/8" (54 mm) fully glazed trapway
- 10" x 7" (254 mm x 178 mm) water surface
- 10" or 12" (254 or 305 mm) rough-in
- 1.0 gpf (3.8 lpf)
- Flush valve activation distance is factory-set
- No external flush volume adjustment ensures water conservation
- 24-hour automatic sentinel flush keeps trapway fresh
- Mechanical override enables flushometer to be used manually even during a power outage
- Chloramine and chlorine resistance on all rubber components exposed to waterway
- Locking stop cap provides protection against vandalism
- Powered by 1.5V AA lithium batteries
- For this combination, order K-96057 bowl and K-10TD00K10 flushometer



## Sustainability



## Available Colors/Finishes

*Color tiles intended for reference only.*

NA NA Not Applicable



1-800-4KOHLER (1-800-456-4537)

Kohler Co. reserves the right to make revisions without notice to product specifications.  
For the most current specification sheet, go to [www.kohler.com](http://www.kohler.com) USA or [www.kohler.ca](http://www.kohler.ca) Canada.  
4-15-2026 9:2 - US-CA

THE BOLD LOOK  
OF **KOHLER**

## Codes/Standards

ADA, OBC, CSA B651 compliant when installed to the specific requirements of these regulations.



ADA CSA B651 OBC

ASME A112.18.1/CSA B125.1  
ASME A112.19.2/CSA B45.1  
ASSE 1037/ASME A112.1037/CSA B125.37  
DOE - Energy Policy Act 1992  
EPA WaterSense®  
California Energy Commission (CEC)  
ADA  
ICC/ANSI A117.1  
CSA B651  
OBC

## Technical Information

All product dimensions are nominal.

Installation Type:	Floor-mount
Rough-in:	12" (305mm)
Flush Type:	Siphon
Flush Rate:	1.0 gpf (3.8 lpf)
Bowl Shape:	Elongated
Seat-Mounting Holes:	5-1/2" (140 mm)
Waste Outlet:	Floor
Trapway Size:	2-1/8" (54 mm)
Trapway Type:	Exposed
Rim to Water Surface:	6" (152 mm)

## Material

- Vitreous china bowl
- Brass flush valve with durable Polished Chrome finish

## Included Combo Skus

- K-96057 Floor-mount top spud flushometer bowl
- K-10TD00K10 Touchless toilet flushometer, DC-powered, 1.0 gpf

## Technology

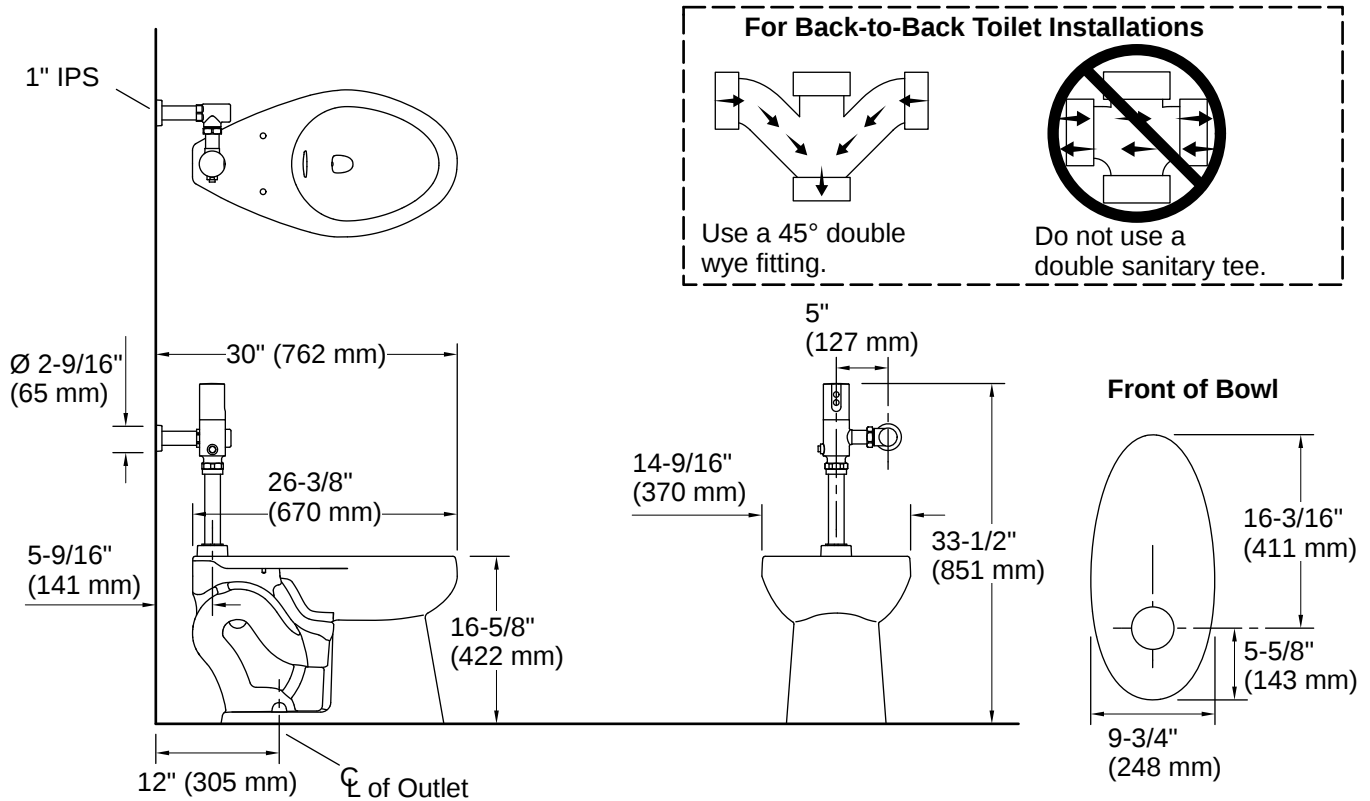
- Electronic infrared sensor with Tripoint® technology for accurate activation
- Designed to outperform competitors in bowl cleanliness and plug resistance

## Warranty

See website for detailed warranty information.

KOHLER® One-Year Limited Warranty





## Installation

- Seat sold separately

## Installation Notes

*Install this product according to the installation instructions.*

Product dimensions are nominal and may vary per ASME A112.19.2 tolerances.

ADA, OBC, CSA B651 compliant when installed to the specific requirements of these regulations.

For ADA installations, rear grab bar may need to be split or shifted. Plumbing codes may require elongated toilets and elongated, open-front seats in public bathrooms.

Accessibility standards may require controls to be located on the open side of the toilet.

