



Dexter™ | K-PR5452-T1D

High-efficiency urinal with Mach® Tripoint® touchless DC 0.125 gpf flushometer

Features

- Fixture and touchless flushometer combination is engineered for optimal performance
- Washout urinal
- 1 pint or 0.125 gpf (0.47 lpf)
- 3/4" (19 mm) top spud
- Flush valve activation distance is factory-set
- No external flush volume adjustment ensures water conservation
- 24-hour automatic sentinel flush keeps trapway fresh
- Mechanical override enables flushometer to be used manually even during a power outage
- Chloramine and chlorine resistance on all rubber components exposed to waterway
- Locking stop cap provides protection against vandalism
- 125-micron filter protects internal components
- High back pressure vacuum breaker
- Powered by 1.5V AA lithium batteries
- For this combination, order K-5452-ET urinal and K-10UD00D20 flushometer
- Patented piston technology for superior flush volume accuracy
- This product can help a building earn Water Efficiency points in LEED® Green Building Rating System



Sustainability



Available Colors/Finishes

Color tiles intended for reference only.

NA NA Not Applicable



1-800-4KOHLER (1-800-456-4537)

Kohler Co. reserves the right to make revisions without notice to product specifications.
For the most current specification sheet, go to www.kohler.com USA or www.kohler.ca Canada.
4-15-2026 6:31 - US-CA

THE BOLD LOOK
OF **KOHLER**

Codes/Standards

ADA compliant when installed to the specific requirements of these regulations.



ADA

ASME A112.18.1/CSA B125.1
ASME A112.19.2/CSA B45.1
ASSE 1037/ASME A112.1037/CSA B125.37
DOE - Energy Policy Act 1992
EPA WaterSense®
California Energy Commission (CEC)
ADA
ICC/ANSI A117.1

Warranty

See website for detailed warranty information.

KOHLER® One-Year Limited Warranty

Technical Information

All product dimensions are nominal.

Flush Type:	Washout
Flush Rate:	0.125 gpf (0.5 lpf)
Waste Outlet:	Wall
Trapway Type:	Exposed

Material

- Vitreous china urinal
- Brass flush valve with durable Polished Chrome finish

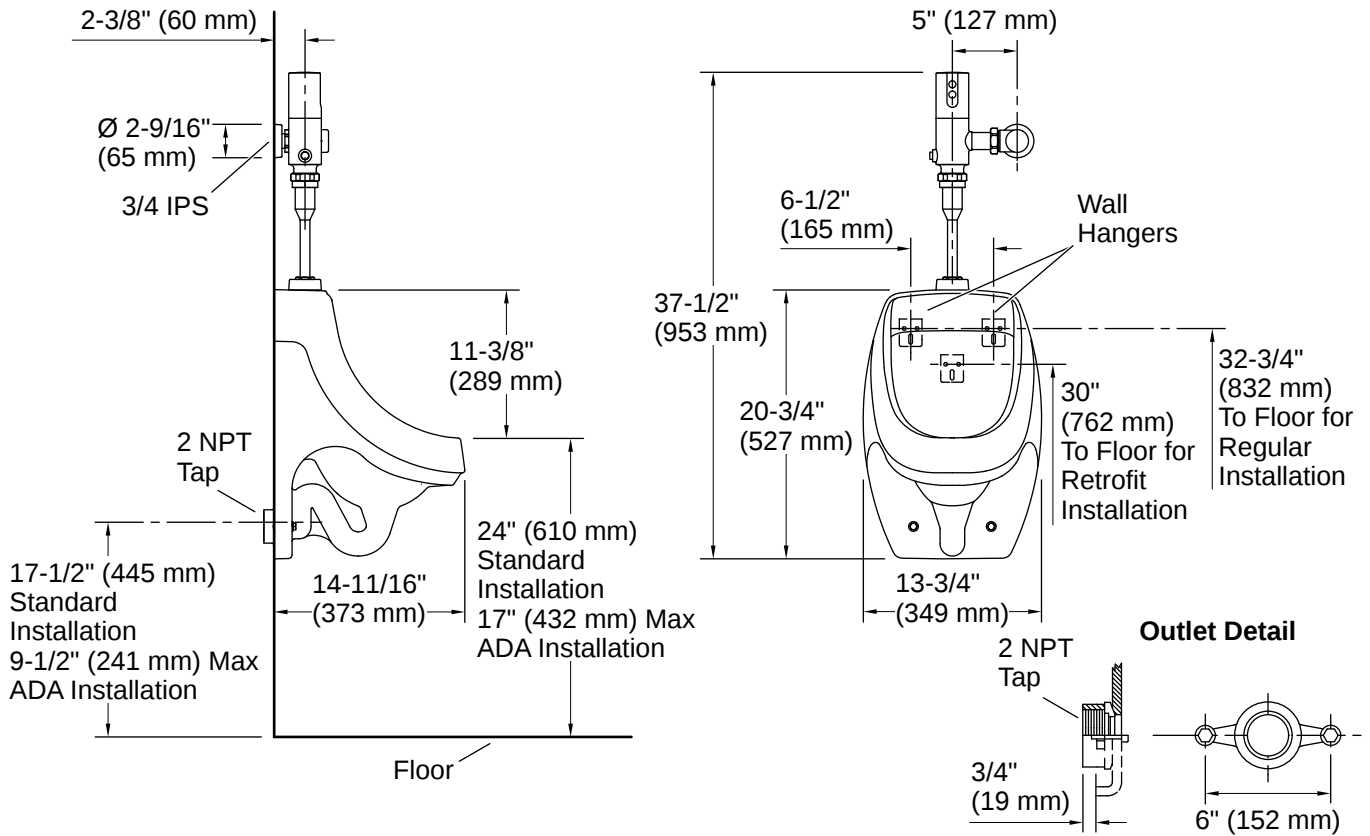
Included Combo Skus

- K-5452-ET Washout half-stall 0.125 gpf urinal, top spud
- K-10UD00D20 Touchless urinal flushometer, DC-powered, 0.125 gpf

Technology

- Electronic infrared sensor with Tripoint® technology for accurate activation





Installation Notes

Install this product according to the installation instructions.

Product dimensions are nominal and may vary per ASME A112.19.2 tolerances.

ADA compliant when installed to the specific requirements of these regulations.

