



Modflex® Adjust-a-Bowl® | K-PR25042-T4HSL

Antimicrobial toilet with Mach® Tripoint® touchless 1.28 gpf HES-powered flushometer with bedpan lugs

Features

- Fixture and touchless flushometer combination is engineered for optimal performance
- Elongated bowl offers added room and comfort
- Antimicrobial finish inhibits the growth of mold-, mildew-, stain-, and odor-causing bacteria on the fixture surface. This product does not protect users against bacteria, viruses, or other disease organisms. Always clean and wash this product thoroughly before and after each use
- 2-1/8" (54 mm) fully glazed trapway
- 10-1/2" x 7-1/2" (267 x 190 mm) water surface
- Adjustable connector enables replacement of wall-hung bowls with rim heights from 15" – 18" (381 – 127 mm) and outlets from 5" – 8" (76 – 127 mm)
- 1.28 gpf (4.8 lpf)
- Flush valve activation distance is factory-set
- No external flush volume adjustment ensures water conservation
- 24-hour automatic sentinel flush keeps trapway fresh
- Mechanical override enables flushometer to be used manually even during a power outage
- Chloramine and chlorine resistance on all rubber components exposed to waterway
- Locking stop cap provides protection against vandalism
- Powered by a 30 year/875,000 cycle hybrid energy cell, based on 72 uses per day
- For this combination, order K-25042-SSL bowl and K-10TD00N10 flushometer



Sustainability



Codes/Standards

ADA, OBC, CSA B651 compliant when installed to the specific requirements of these regulations.



ADA CSA B651 OBC

ASME A112.18.1/CSA B125.1
 ASME A112.19.2/CSA B45.1
 ASSE 1037/ASME A112.1037/CSA B125.37
 DOE - Energy Policy Act 1992
 EPA WaterSense®
 California Energy Commission (CEC)
 ADA
 ICC/ANSI A117.1
 CSA B651
 OBC

Technical Information

All product dimensions are nominal.

Installation Type:	Floor-mount
Rough-in:	5"
Flush Type:	Siphon
Flush Rate:	1.28 gpf (4.8 lpf)
Bowl Shape:	Elongated
Seat-Mounting Holes:	5-1/2" (140 mm)
Waste Outlet:	Wall
Trapway Size:	2-1/8" (54 mm)
Trapway Type:	Concealed
Water Surface Size:	10-1/2" x 7-1/2" (267 mm x 191 mm)
Rim to Water Surface:	5-3/4" (146 mm)

Material

- Vitreous china bowl
- Brass flush valve with durable Polished Chrome finish

Included Combo Skus

- K-25042-SSL Floor-mount top spud flushometer bowl with bedpan lugs
- K-10TH00N10 Touchless toilet flushometer, HES-powered, 1.28 gpf

Recommended Products/Accessories

- K-4731-C Elongated toilet seat with integrated handle and check hinge
- K-4731-CA Commercial elongated toilet seat with antimicrobial agent

Technology

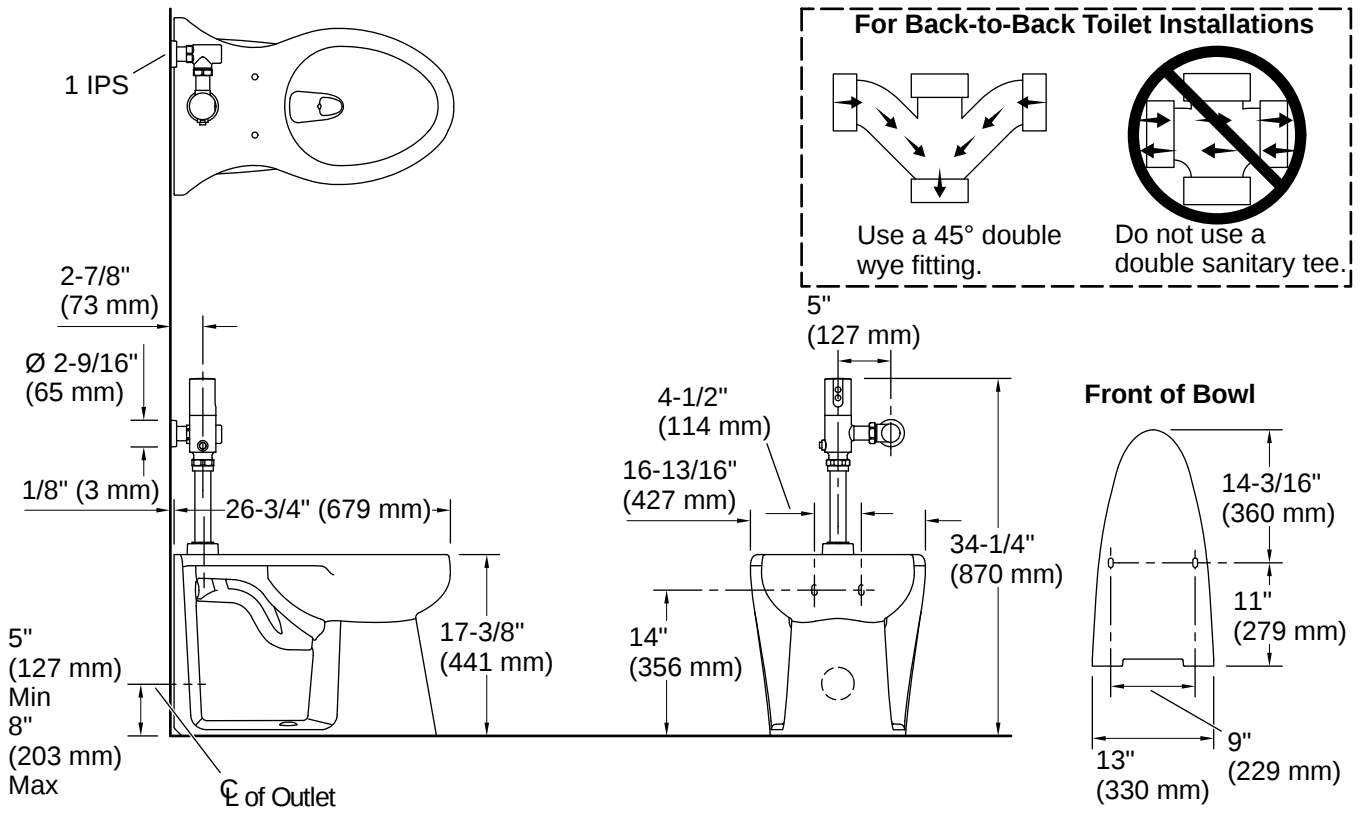
- Electronic infrared sensor with Tripoint® technology for accurate activation

Warranty

See website for detailed warranty information.

KOHLER® One-Year Limited Warranty





Installation

- Designed to cover existing footprint of any wall bowl on the market
- Seat sold separately

Installation Notes

Install this product according to the installation instructions.

Product dimensions are nominal and may vary per ASME A112.19.2 tolerances.

ADA, OBC, CSA B651 compliant when installed to the specific requirements of these regulations.

For ADA installations, rear grab bar may need to be split or shifted.

Plumbing codes may require elongated toilets and elongated, open-front seats in public bathrooms.

Accessibility standards may require controls to be located on the open side of the toilet.

