



# Tend® | K-PR20713-T2H

Urinal with Mach® Tripoint® touchless 0.5 gpf HES-powered flushometer

## Features

- Fixture and touchless flushometer combination is engineered for optimal performance
- Washout urinal
- 0.5 gpf (1.9 lpf)
- 3/4" (19 mm) top spud
- Flush valve activation distance is factory-set
- No external flush volume adjustment ensures water conservation
- 24-hour automatic sentinel flush keeps trapway fresh
- Mechanical override enables flushometer to be used manually even during a power outage
- Chloramine and chlorine resistance on all rubber components exposed to waterway
- Locking stop cap provides protection against vandalism
- 125-micron filter protects internal components
- High back pressure vacuum breaker
- Powered by a 30 year/875,000 cycle hybrid energy cell, based on 72 uses per day
- For this combination, order K-20713-ET urinal and K-10UH00G20 flushometer
- Patented piston technology for superior flush volume accuracy
- This product can help a building earn Water Efficiency points in LEED® Green Building Rating System



## Sustainability



1-800-4KOHLER (1-800-456-4537)  
Kohler Co. reserves the right to make revisions without notice to product specifications.  
For the most current specification sheet, go to [www.kohler.com](http://www.kohler.com) USA or [www.kohler.ca](http://www.kohler.ca) Canada.  
4-15-2026 6:30 - US-CA

THE BOLD LOOK  
OF **KOHLER**

## Codes/Standards

*ADA compliant when installed to the specific requirements of these regulations.*



ADA

ASME A112.18.1/CSA B125.1  
ASME A112.19.2/CSA B45.1  
ASSE 1037/ASME A112.1037/CSA B125.37  
DOE - Energy Policy Act 1992  
EPA WaterSense®  
ADA  
ICC/ANSI A117.1

## Technical Information

*All product dimensions are nominal.*

Waste Outlet:                      Wall

## Material

- Vitreous china urinal
- Brass flush valve with durable Polished Chrome finish

## Included Combo Skus

- K-20713-ET Contemporary washout urinal with top spud
- K-10UH00G20 Touchless urinal flushometer, HES-powered, 0.5 gpf

## Technology

- Electronic infrared sensor with Tripoint® technology for accurate activation

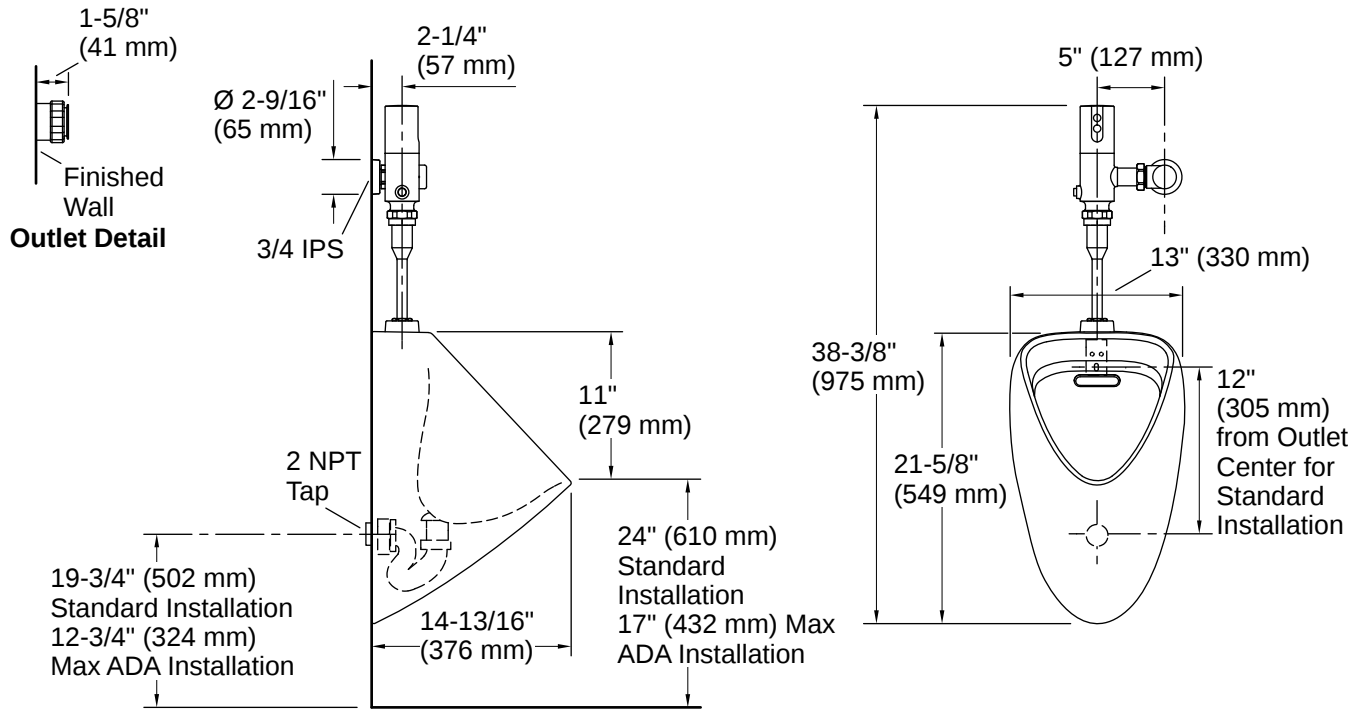
## Warranty

*See website for detailed warranty information.*

KOHLER® One-Year Limited Warranty



**Note:** Customer Connection Pipe must have 2 NPT External Thread.



## Installation Notes

Install this product according to the installation instructions.

Product dimensions are nominal and may vary per ASME A112.19.2 tolerances.

ADA compliant when installed to the specific requirements of these regulations.

