



# Tend® | K-PR20713-T2D

Urinal with Mach® Tripoint® touchless DC 0.5 gpf flushometer

## Features

- Fixture and touchless flushometer combination is engineered for optimal performance
- Washout urinal
- 0.5 gpf (1.9 lpf)
- 3/4" (19 mm) top spud
- Flush valve activation distance is factory-set
- No external flush volume adjustment ensures water conservation
- 24-hour automatic sentinel flush keeps trapway fresh
- Mechanical override enables flushometer to be used manually even during a power outage
- Chloramine and chlorine resistance on all rubber components exposed to waterway
- Locking stop cap provides protection against vandalism
- 125-micron filter protects internal components
- High back pressure vacuum breaker
- Powered by 1.5V AA lithium batteries
- For this combination, order K-20713-ET urinal and K-10UD00G20 flushometer
- Patented piston technology for superior flush volume accuracy
- This product can help a building earn Water Efficiency points in LEED® Green Building Rating System



## Sustainability



1-800-4KOHLER (1-800-456-4537)

Kohler Co. reserves the right to make revisions without notice to product specifications.  
For the most current specification sheet, go to [www.kohler.com](http://www.kohler.com) USA or [www.kohler.ca](http://www.kohler.ca) Canada.  
4-15-2026 6:30 - US-CA

THE BOLD LOOK  
OF **KOHLER**

## Codes/Standards

*ADA compliant when installed to the specific requirements of these regulations.*



ADA

ASME A112.18.1/CSA B125.1  
ASME A112.19.2/CSA B45.1  
ASSE 1037/ASME A112.1037/CSA B125.37  
DOE - Energy Policy Act 1992  
EPA WaterSense®  
ADA  
ICC/ANSI A117.1

## Technical Information

*All product dimensions are nominal.*

Waste Outlet:                      Wall

## Material

- Vitreous china urinal
- Brass flush valve with durable Polished Chrome finish

## Included Combo Skus

- K-20713-ET Contemporary washout urinal with top spud
- K-10UD00G20 Touchless urinal flushometer, DC-powered, 0.5 gpf

## Technology

- Electronic infrared sensor with Tripoint® technology for accurate activation

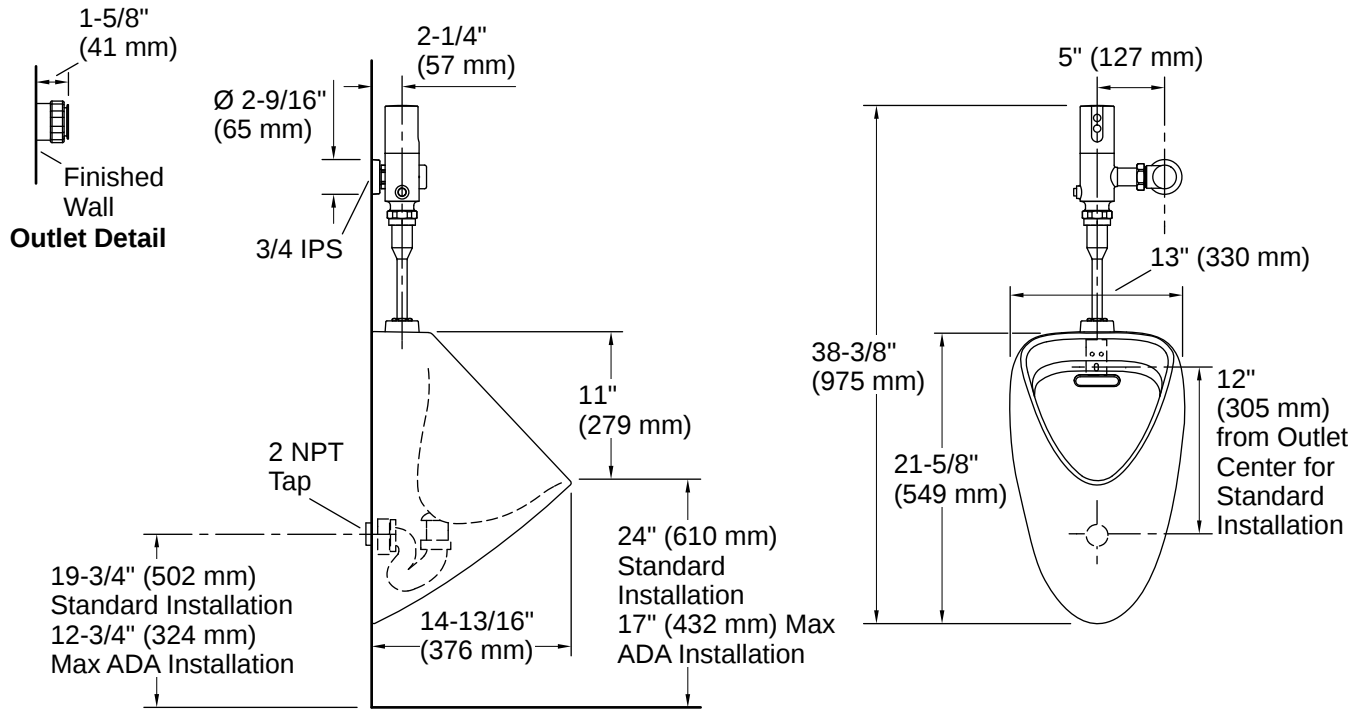
## Warranty

*See website for detailed warranty information.*

KOHLER® One-Year Limited Warranty



**Note:** Customer Connection Pipe must have 2 NPT External Thread.



## Installation Notes

*Install this product according to the installation instructions.*

Product dimensions are nominal and may vary per ASME A112.19.2 tolerances.

ADA compliant when installed to the specific requirements of these regulations.

