

## Oblo™ | K-P104BB76-SBNA

Touchless single-hole lavatory faucet with Kinesis® sensor technology, DC-powered, less drain, 0.5 gpm, project pack

### Features

- Kinesis® technology with concealed sensor allows for a clean aesthetic and provides extraordinarily accurate and reliable actuation in varying installation environments
- Below-counter valving reduces the faucet footprint and provides easier service
- Design-forward aesthetic for commercial bathroom spaces
- AA battery-powered; up to four-year battery life (approx. 105,000 cycles)
- On-demand usage with 30-second max. continual run cycle to prevent vandalism and save water
- Vandal-resistant aerator
- 18" (457 mm) stainless steel braided flexible supply hose for easy installation
- Less drain
- Concealed mechanical mixer sold separately
- Complies with the Safe Drinking Water Act (SDWA)
- Includes spout assembly, control box assembly, four AA batteries, supply hose, and standard mounting hardware



### Sustainability



### Available Colors/Finishes

*Color tiles intended for reference only.*

- CP Polished Chrome



1-800-4KOHLER (1-800-456-4537)

Kohler Co. reserves the right to make revisions without notice to product specifications.

For the most current specification sheet, go to [www.kohler.com](http://www.kohler.com) USA or [www.kohler.ca](http://www.kohler.ca) Canada.

4-15-2026 6:37 - US-CA

---

## Codes/Standards

ADA, OBC, CSA B651 compliant when installed to the specific requirements of these regulations.

ADA   CSA B651   OBC

ASME A112.18.1/CSA B125.1  
NSF/ANSI/CAN 372  
NSF/ANSI/CAN 61  
DOE - Energy Policy Act 1992  
California Energy Commission (CEC)  
NSF/ANSI/CAN 61|NSF/ANSI/CAN 372  
ADA  
ICC/ANSI A117.1  
CSA B651  
OBC

---

## Technical Information

All product dimensions are nominal.

### Spout

Spout Reach: 5-1/4" (133 mm)

### Flow Rate

Faucet Flow Rate: 0.5 gpm (1.9 l/min)

---

## Valves

Included Valve: Thermostatic Mixer

---

## Material

- Brass spout
- 

## Technology

- Kinesis® sensor technology offers on-demand detection for maximum water savings
- 

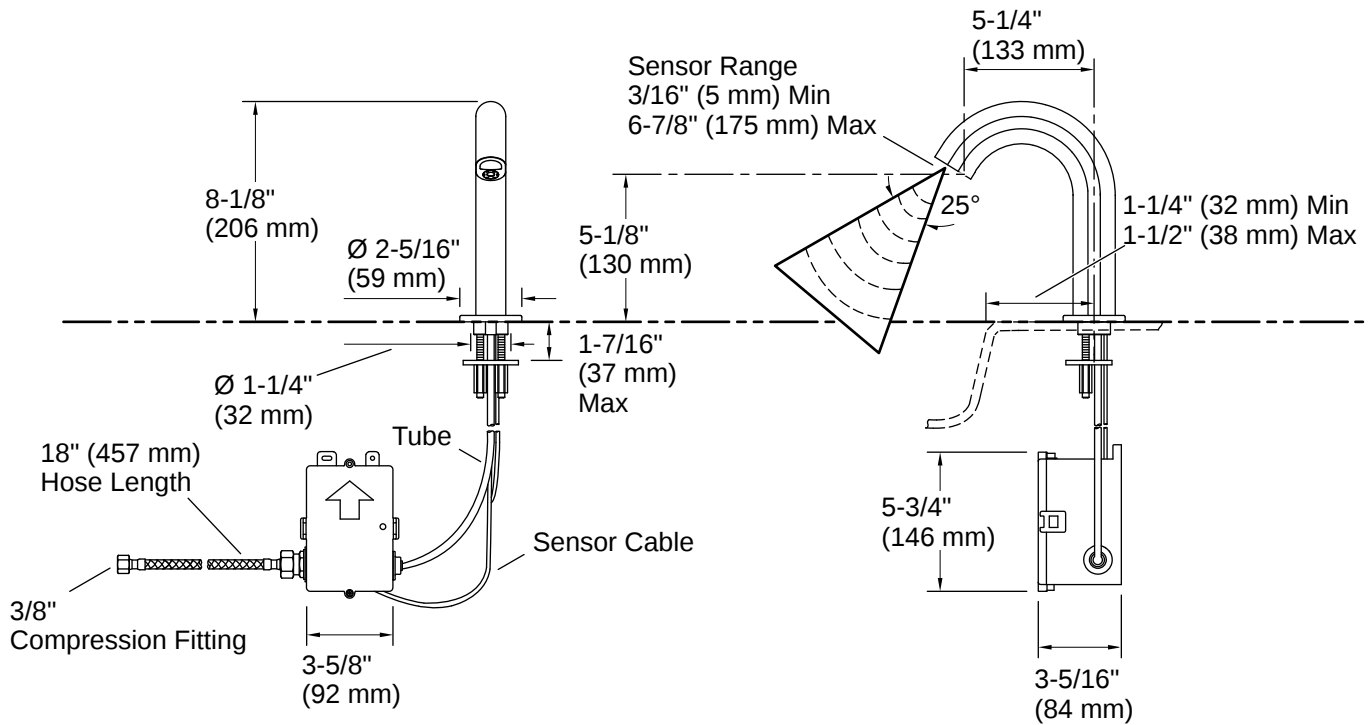
## Warranty

See website for detailed warranty information.

KOHLER® One-Year Limited Warranty

---





## Installation

- Single-hole mounting

## Installation Notes

*Install this product according to the installation instructions.*

ADA, OBC, CSA B651 compliant when installed to the specific requirements of these regulations.

