



# Poplin® | K-CM99537-BD1

60" bathroom vanity cabinet with sinks and quartz top

## Features

- Set includes: Cabinet, precut Silestone® quartz vanity top, sinks, cabinet legs, cabinet hardware, mounting hardware for sinks
- Vanity top has single faucet hole with pilot holes for optional 8" (203 mm) widespread faucet configuration at each sink location
- Three-way adjustable soft-close door hinges for easy cabinet access
- Full-extension 18" (457 mm) depth drawers with soft-close undermount slides for smooth opening
- Solid wood drawers with dovetail joint construction
- Vanity top is covered under the Silestone® 25-Year Limited Warranty
- Silestone® quartz provides exceptional durability and stain resistance, making it easy to maintain
- Caxton® Rectangle undermount sink has a streamlined design that is easy to clean
- Optional vanity top side and backsplashes available (sold separately)



---

## Codes/Standards

EPA TSCA Title VI/CARB P2

---

## Technical Information

*All product dimensions are nominal.*

Lighting Included:	No
Number of Deck Holes:	3
Center(s):	8" (203 mm)

---

## Material

- Solid and composite wood
  - Silestone® quartz vanity top
  - Vitreous china sinks
  - Premium metal hardware for durability and reliability
- 

## Included Combo Skus

- K-99537-LG 60" bathroom vanity cabinet
  - K-28255 Silestone® 61" quartz vanity top with two rectangular cutouts
  - K-99687 3/4" cabinet pull
  - K-20000 20-1/2" rectangular undermount bathroom sink
- 

## Required Products/Accessories

- K-28265 Silestone® quartz 61" backsplash
- 

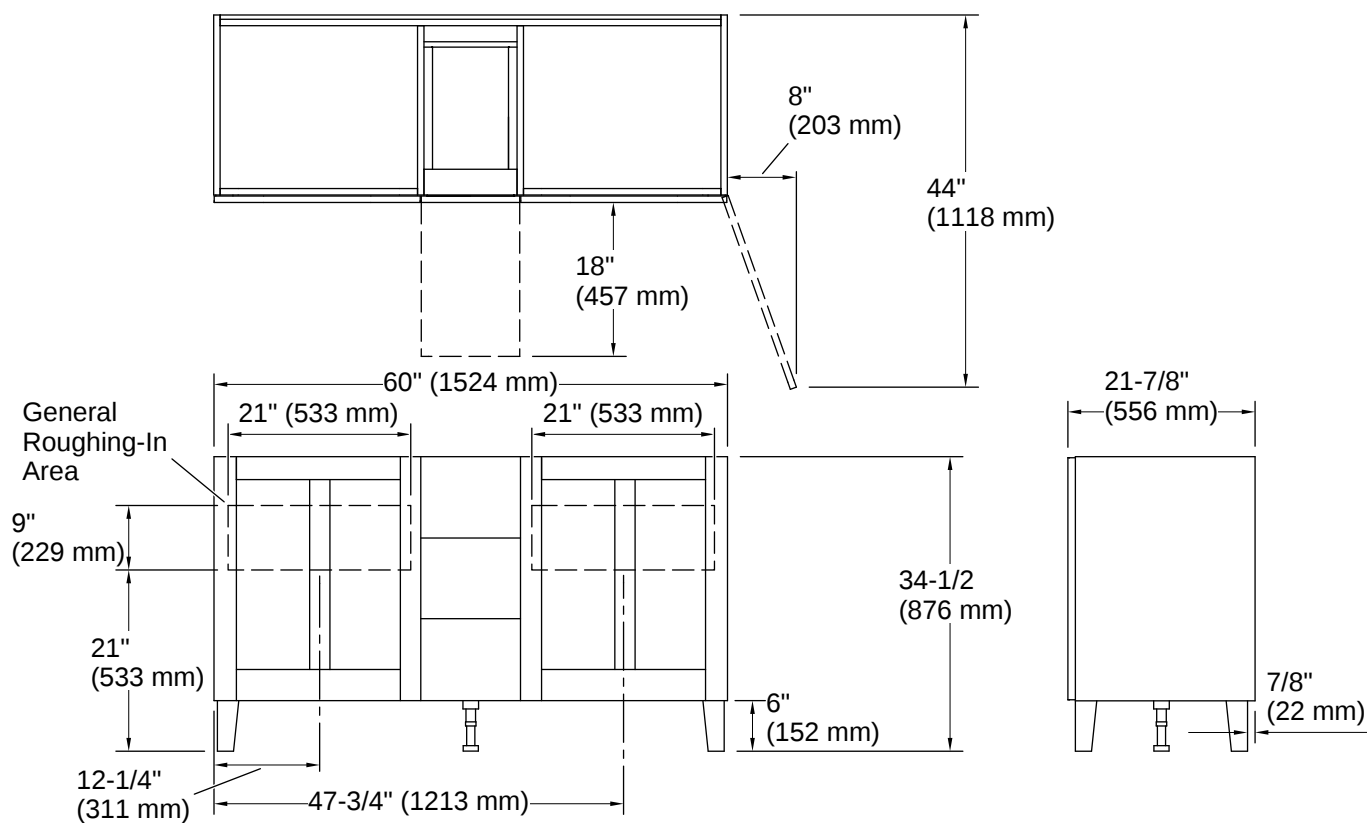
## Warranty

*See website for detailed warranty information.*

KOHLER® One-Year Limited Warranty



1-800-4KOHLER (1-800-456-4537)  
Kohler Co. reserves the right to make revisions without notice to product specifications.  
For the most current specification sheet, go to [www.kohler.com](http://www.kohler.com) USA or [www.kohler.ca](http://www.kohler.ca) Canada.  
4-15-2026 6:35 - US-CA



### Installation Notes

*Install this product according to the installation instructions.*

