



K-CB-CLR1620FS

16" W x 20" H aluminum single-door medicine cabinet with mirrored door, beveled edges

Features

- Recessed installation only
- Two adjustable tempered-glass shelves offer additional bathroom storage
- Full-overlay mirrored door with beveled edges
- Mirrored interior
- 108° opening capability for easy cabinet access



Available Colors/Finishes

Color tiles intended for reference only.

^{NA} NA Not Applicable



1-800-4KOHLER (1-800-456-4537)
Kohler Co. reserves the right to make revisions without notice to product specifications.
For the most current specification sheet, go to www.kohler.com USA or www.kohler.ca Canada.
4-15-2026 2:9 - US-CA

THE BOLD LOOK
OF **KOHLER**

Codes/Standards

None Applicable

Technical Information

All product dimensions are nominal.

Lighting Included:	No
Mirror Type:	Bevel Edge
Cutout	
Width:	14" (356 mm)
Height:	18" (457 mm)
Depth:	3-5/8" (92 mm)

Material

- Anodized aluminum construction with a durable rustproof and chip-resistant finish
-

Recommended Products/Accessories

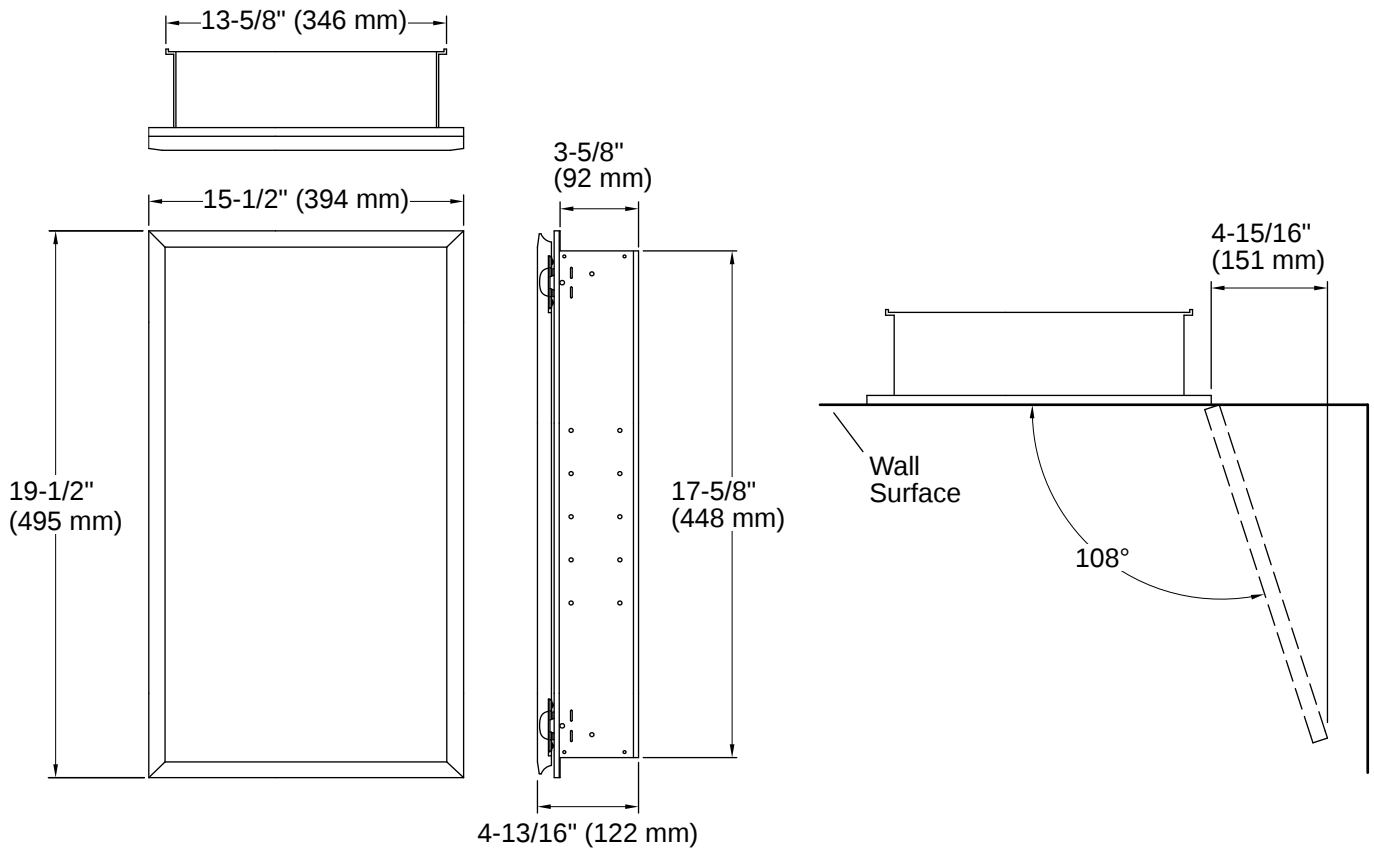
K-10570 One-light sconce
K-10571 Two-light sconce
K-23723 Faucet cleaner

Warranty

See website for detailed warranty information.

KOHLER® One-Year Limited Warranty





Installation

- Can be installed with left- or right-hand swing

Installation Notes

Install this product according to the installation instructions.

When determining the height of the medicine cabinet, ensure the mirrored door will clear all obstacles (such as a faucet). A minimum distance of 3" (76 mm) is required.

For surface-mount, use anchors (not provided) rated for the loaded weight of this product.

This cabinet is designed for either right or left door swing. Check for obstructions.

