



# K-CB-CLC1526FS

15" W x 26" H aluminum single-door medicine cabinet with mirrored door, beveled edges

## Features

- Two adjustable tempered-glass shelves offer additional bathroom storage
- Full-overlay mirrored door with beveled edges
- Mirrored interior
- Two-way adjustable hinges with 108° opening capability for easy cabinet access
- Includes side mirror kit for surface-mount installation



## Available Colors/Finishes

*Color tiles intended for reference only.*

<sup>NA</sup> NA Not Applicable



---

## Codes/Standards

*None Applicable*

---

## Technical Information

*All product dimensions are nominal.*

Mirror Type: Bevel Edge

### Cutout

Width: 14-1/4" (362 mm)

Height: 25-1/4" (641 mm)

Depth: 3-5/8" (92 mm)

---

## Material

- Anodized aluminum construction with a durable rustproof and chip-resistant finish
  - Anodized aluminum construction with a durable rustproof and chip-resistant finish
- 

## Recommended Products/Accessories

K-23723 Faucet cleaner

---

## Warranty

*See website for detailed warranty information.*

KOHLER® One-Year Limited Warranty

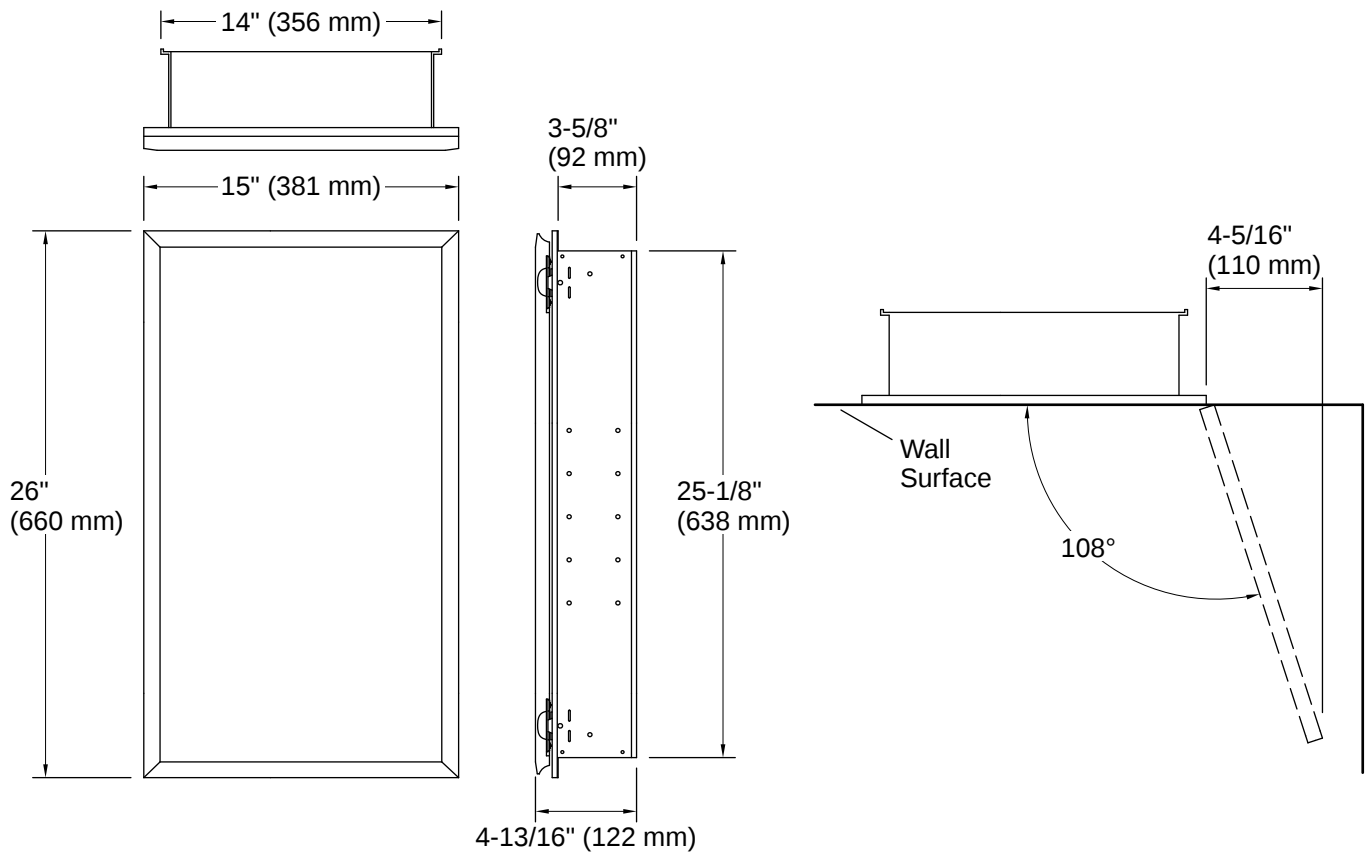


1-800-4KOHLER (1-800-456-4537)

Kohler Co. reserves the right to make revisions without notice to product specifications.

For the most current specification sheet, go to [www.kohler.com](http://www.kohler.com) USA or [www.kohler.ca](http://www.kohler.ca) Canada.

4-15-2026 2:16 - US-CA



## Installation

- Can be installed with left- or right-hand swing
- Includes mounting hardware for surface or recessed installation

## Installation Notes

*Install this product according to the installation instructions.*

When determining the height of the medicine cabinet, ensure the mirrored door will clear all obstacles (such as a faucet). A minimum distance of 3" (76 mm) is required.

For surface-mount, use anchors (not provided) rated for the loaded weight of this product.

This cabinet is designed for either right or left door swing. Check for obstructions.

