



# Honesty® | K-99760-4

Single-handle bathroom sink faucet, 1.2 gpm

## Features

- Single Lever handle allows for both volume and temperature control
- KOHLER® ceramic disc valves exceed industry longevity standards for a lifetime of durable performance
- Temperature memory allows faucet to be turned on and off at the temperature set during prior usage
- 1.2 gpm (4.5 lpm) maximum flow rate
- Includes metal pop-up drain with 1-1/4" (32 mm) tailpiece
- Red/blue indexing on handle
- Coordinates with Honesty faucets accessories, and showering components to complete your bathroom
- This product will be replaced with K-37889-4



## Sustainability



1-800-4KOHLER (1-800-456-4537)  
Kohler Co. reserves the right to make revisions without notice to product specifications.  
For the most current specification sheet, go to [www.kohler.com](http://www.kohler.com) USA or [www.kohler.ca](http://www.kohler.ca) Canada.  
4-15-2026 4:21 - US-CA

THE BOLD LOOK  
OF **KOHLER**®

## Codes/Standards

ADA, OBC, CSA B651 compliant when installed to the specific requirements of these regulations.



ADA CSA B651 OBC

ASME A112.18.1/CSA B125.1  
NSF/ANSI/CAN 372  
NSF/ANSI/CAN 61  
DOE - Energy Policy Act 1992  
EPA WaterSense®  
California Energy Commission (CEC)  
ADA  
ICC/ANSI A117.1  
CSA B651  
OBC

## Technical Information

All product dimensions are nominal.

### Handle

Handle Style/ Type: Lever

### Spout

Spout Reach: 4-3/16" (106 mm)

Drain With Overflow: Yes

### Flow Rate

Faucet Flow Rate: 1.2 gpm (4.5 l/min)

## Valves

Included Valves: Ceramic disc, Thermostatic, Volume Control

## Material

- Brass
- KOHLER finishes resist corrosion and tarnishing

## Recommended Products/Accessories

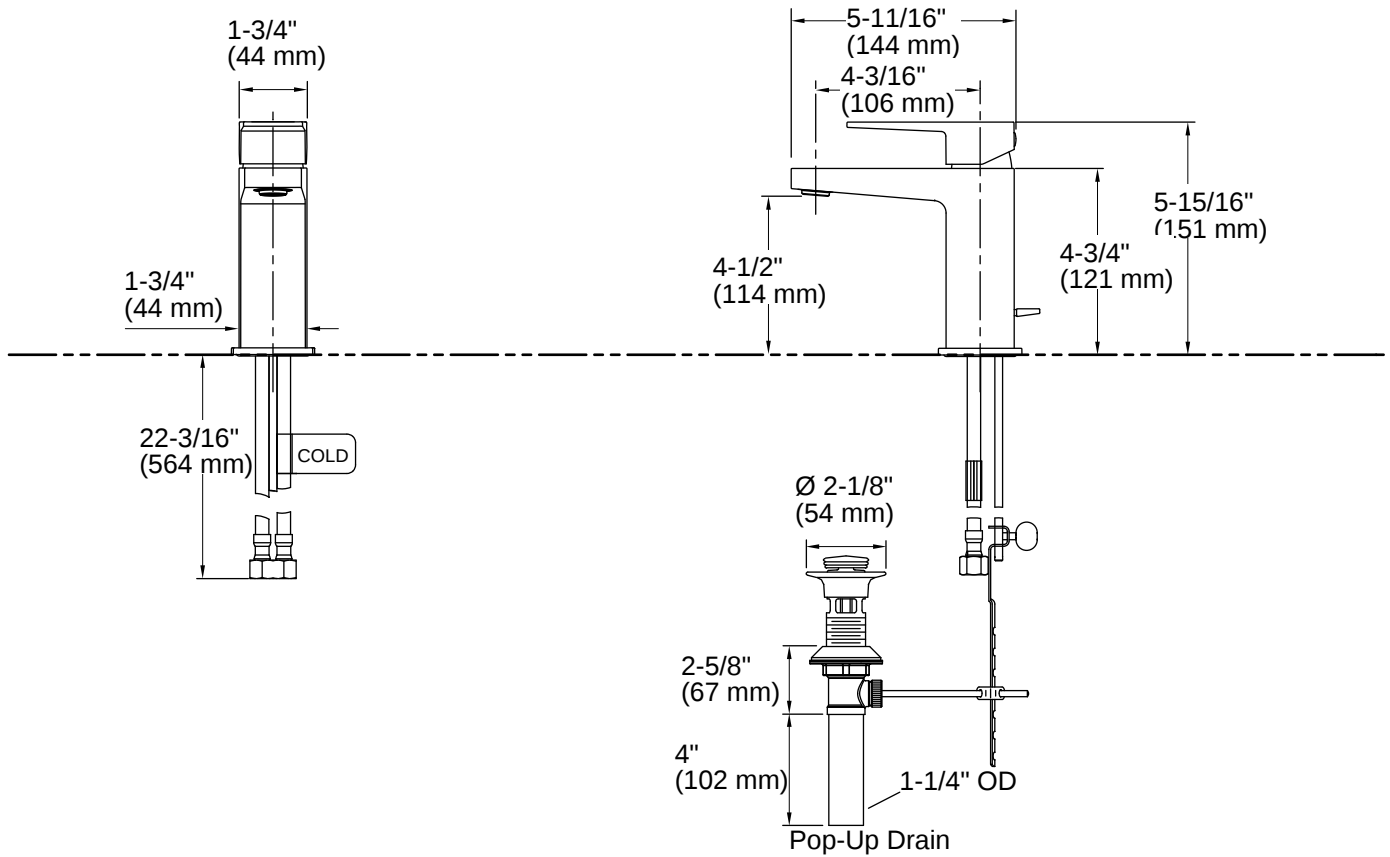
K-23726 Drain treatment  
K-26636 Robe hook  
K-23723 Faucet cleaner  
K-26633 18" towel bar  
K-26634 24" towel bar  
K-26635 12" towel bar  
K-26637 Towel arm  
K-26638 Pivoting toilet paper holder

## Warranty

See website for detailed warranty information.

KOHLER® Faucet Lifetime Limited Warranty





## Installation

- For single-hole installation
- Preattached flexible supply lines simplify installation

## Installation Notes

*Install this product according to the installation instructions.*

ADA compliant for handles only.  
ADA, OBC, CSA B651 compliant when installed to the specific requirements of these regulations.

