



# Poplin® | K-99530-LGR

30" bathroom vanity cabinet

## Features

- Catalyzed conversion varnish provides a durable moisture-resistant finish
- One door and three drawers on right
- Frameless construction with full-overlay door and drawers
- Three-way adjustable soft-close door hinges for easy cabinet access
- Full-extension 18" (457 mm) depth drawers with soft-close undermount slides for smooth opening
- Solid wood drawers with dovetail construction
- Legs offer the polished look of furniture in the bathroom



1-800-4KOHLER (1-800-456-4537)  
Kohler Co. reserves the right to make revisions without notice to product specifications.  
For the most current specification sheet, go to [www.kohler.com](http://www.kohler.com) USA or [www.kohler.ca](http://www.kohler.ca) Canada.  
4-15-2026 3:30 - US-CA

THE BOLD LOOK  
OF **KOHLER**

## Codes/Standards

EPA TSCA Title VI/CARB P2

## Technical Information

*All product dimensions are nominal.*

Lighting Included:	No
<b>Cutout</b>	
Width:	30" (762 mm)
Height:	34-1/2" (876 mm)

## Material

- Solid wood and veneers
- Wood is a living material, and its beauty is enhanced by natural variations in grain, color, and pattern. No two pieces of wood are exactly the same, and the color will change with age, temperature, and exposure to light
- The nature of wood grain can cause variations in stain depth. Our expert craftspeople hand-apply the stain to blend these variations

## Required Products/Accessories

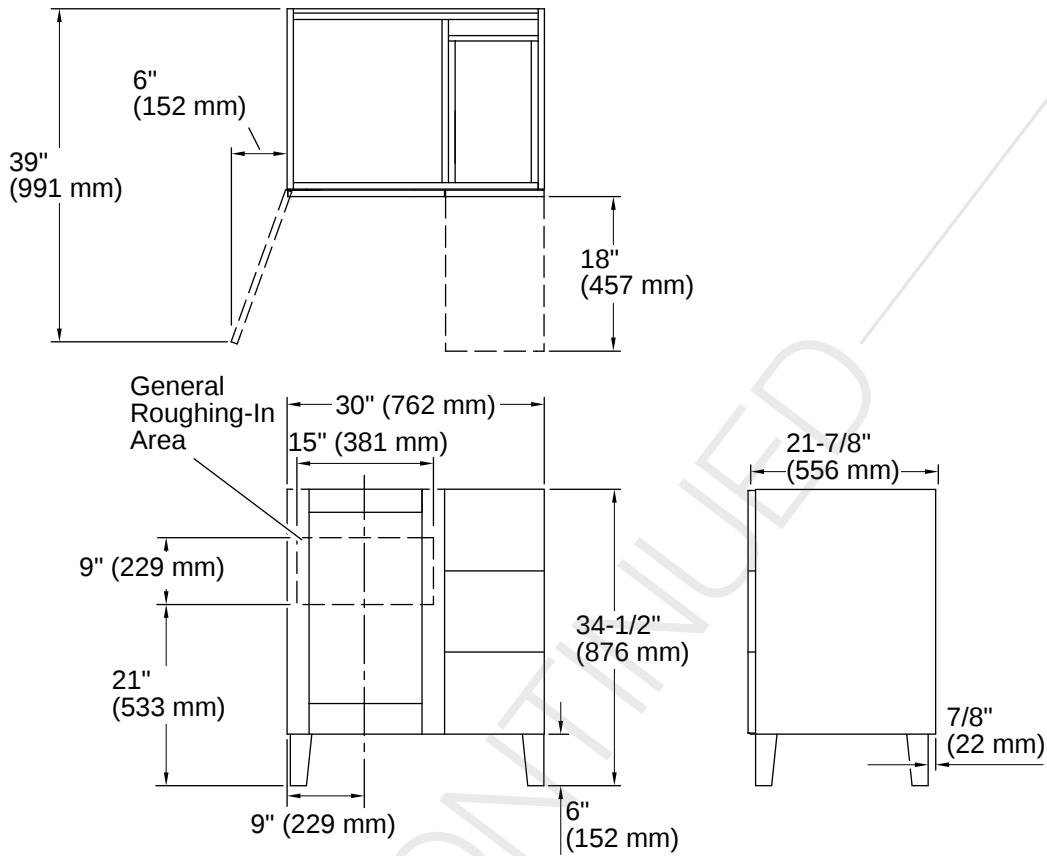
- K-20000 20-1/2" rectangular undermount bathroom sink
- K-28262 Silestone® quartz 31" backsplash
- K-28248 Silestone® 31" quartz vanity top with rectangular cutout

## Warranty

*See website for detailed warranty information.*

KOHLER® One-Year Limited Warranty





## Installation Notes

*Install this product according to the installation instructions.*

Decorative cabinet hardware is not supplied. Refer to the KOHLER bath accessories line for recommended cabinet hardware to complement your vanity.

Select the type of fastener based upon the wall material. Two 250 lb (113.4 kg) minimum load bearing fasteners are recommended.

