



Elate® | K-99492-4

Single-handle bathroom sink faucet, 0.5 gpm

Features

- Leak-free ceramic disc valve allows both volume and temperature control
- 0.5 gpm (1.9 lpm) maximum flow rate at 60 psi (4.14 bar)
- This product will be replaced with K-35048-4N



Sustainability



1-800-4KOHLER (1-800-456-4537)
Kohler Co. reserves the right to make revisions without notice to product specifications.
For the most current specification sheet, go to www.kohler.com USA or www.kohler.ca Canada.
4-15-2026 5:24 - US-CA

THE BOLD LOOK
OF **KOHLER**®

Codes/Standards

ADA, OBC, CSA B651 compliant when installed to the specific requirements of these regulations.

ADA
 CSA B651
 OBC

ASME A112.18.1/CSA B125.1
 NSF/ANSI/CAN 372
 NSF/ANSI/CAN 61
 DOE - Energy Policy Act 1992
 California Energy Commission (CEC)
 NSF/ANSI/CAN 61|NSF/ANSI/CAN 372
 ADA
 ICC/ANSI A117.1
 CSA B651
 OBC

Warranty

See website for detailed warranty information.

KOHLER® Faucet Lifetime Limited Warranty

Technical Information

All product dimensions are nominal.

Handle

Handle Style/ Type: Lever

Spout

Spout Reach: 4-3/16" (106 mm)

Drain With Overflow: Yes

Flow Rate

Faucet Flow Rate: 0.5 gpm (1.9 l/min)

Valves

Included Valves: Ceramic disc, Thermostatic, Volume Control

Material

- Premium metal construction for durability and reliability
- KOHLER finishes resist corrosion and tarnishing

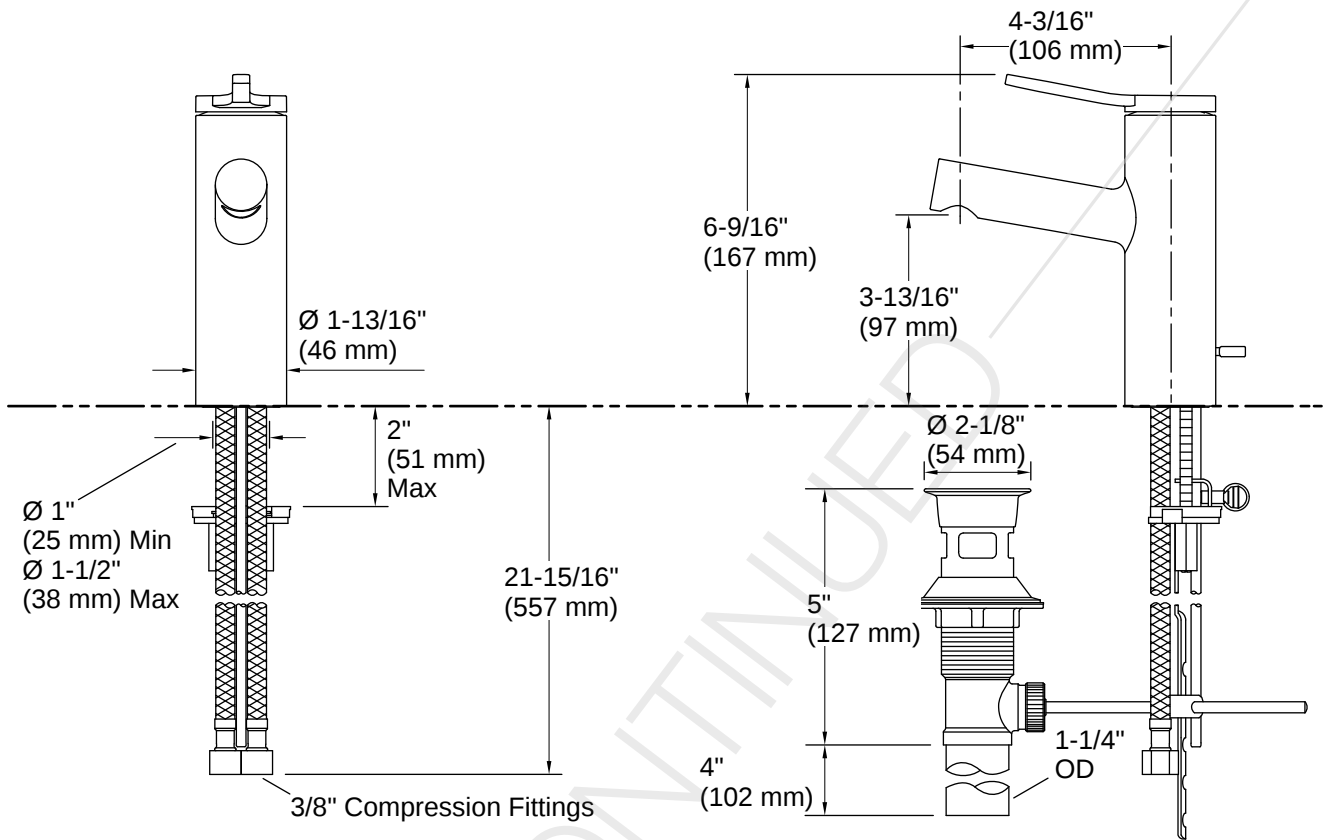
Recommended Products/Accessories

K-23726 Drain treatment

K-23723 Faucet cleaner



1-800-4KOHLER (1-800-456-4537)
 Kohler Co. reserves the right to make revisions without notice to product specifications.
 For the most current specification sheet, go to www.kohler.com USA or www.kohler.ca Canada.
 4-15-2026 5:24 - US-CA



Installation

- Single hole

Installation Notes

Install this product according to the installation instructions.

ADA compliant for handles only.

ADA, OBC, CSA B651 compliant when installed to the specific requirements of these regulations.

