



Groove® | K-9925

48" x 36" alcove shower base, rear center drain

Features

- Low-threshold design for easy entry and exit
- Recessed rear drain
- Single threshold for three-wall installation
- Requires K-9332 Groove aluminum drain cover or K-9336 Groove teak drain cover (sold separately)



Available Colors/Finishes

Color tiles intended for reference only.

- 0 White
- 96 Biscuit
- 58 Thunder Grey



1-800-4KOHLER (1-800-456-4537)
Kohler Co. reserves the right to make revisions without notice to product specifications.
For the most current specification sheet, go to www.kohler.com USA or www.kohler.ca Canada.
4-15-2026 4:57 - US-CA

THE BOLD LOOK
OF **KOHLER**®

Codes/Standards

CSA B45.5/IAPMO Z124

ASTM E162

ASTM E662

Technical Information

All product dimensions are nominal.

Drain Location:	Center
Drain Hole Diameter:	3-3/8" (86 mm)
Shower Ledge Minimum Flat:	2-1/2" (64 mm)
Minimum Floor Load:	20 lbs/ft ²
Weight:	59 lbs (26.8 kg)

Material

- Acrylic
-

Recommended Products/Accessories

K-23726 Drain treatment

K-23732 Tub & shower cleaner

K-9132 Round shower drain for use with plastic pipe, gasket included

Required Products/Accessories

- K-9332 Aluminum cover, 48"

or

- K-9336 Teak drain cover 48" receptor
-

Warranty

See website for detailed warranty information.

KOHLER® Plastic Baths and Shower Bases Lifetime Limited Warranty

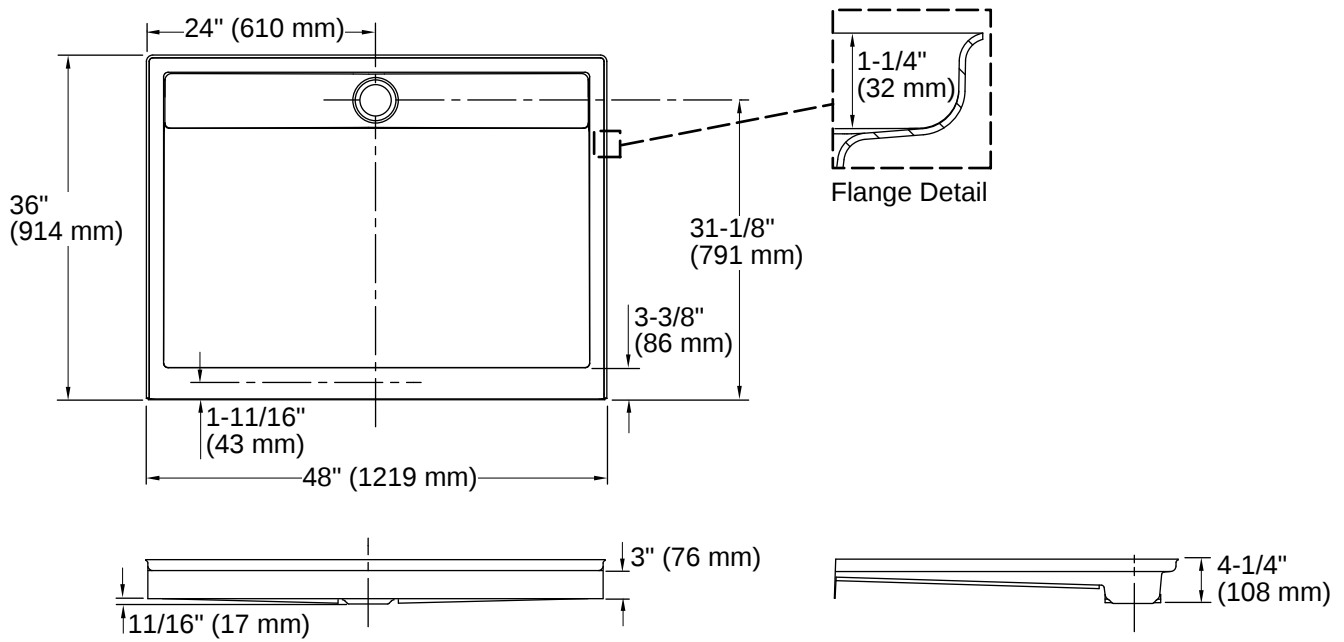


1-800-4KOHLER (1-800-456-4537)

Kohler Co. reserves the right to make revisions without notice to product specifications.

For the most current specification sheet, go to www.kohler.com USA or www.kohler.ca Canada.

4-15-2026 4:57 - US-CA



Installation Notes

Install this product according to the installation instructions.

Measure your actual product for rough-in details.

Shimming may be required to level the fixture.

Shimming may be required between the stud frame and the fixture.

Stud opening tolerance is + 1/4" (6 mm), - 0" (0 mm).

