



# Verdera® | K-99012

30" mirrored side kit for medicine cabinet

## Features

- Required for surface mounting of 30"-tall (762 mm) Verdera medicine cabinets
- 30" (762 mm) length
- Includes two side mirrors and all hardware



## Available Colors/Finishes

*Color tiles intended for reference only.*

<sup>NA</sup> NA Not Applicable



---

## Codes/Standards

*None Applicable*

---

## Material

- Premium metal and mirrored glass construction
- 

## Recommended Products/Accessories

K-99000 15" x 30" medicine cabinet

K-99001 15" x 30" medicine cabinet

K-99002 20" x 30" medicine cabinet

K-99003 20" x 30" medicine cabinet

K-99006 24" x 30" medicine cabinet

K-99007 24" x 30" medicine cabinet

K-99008 34" x 30" two-door medicine cabinet

K-99009 34" x 30" two-door medicine cabinet

K-99010 40" x 30" three-door medicine cabinet

K-99011 40" x 30" three-door medicine cabinet

K-23723 Faucet cleaner

---

## Warranty

*See website for detailed warranty information.*

KOHLER® One-Year Limited Warranty

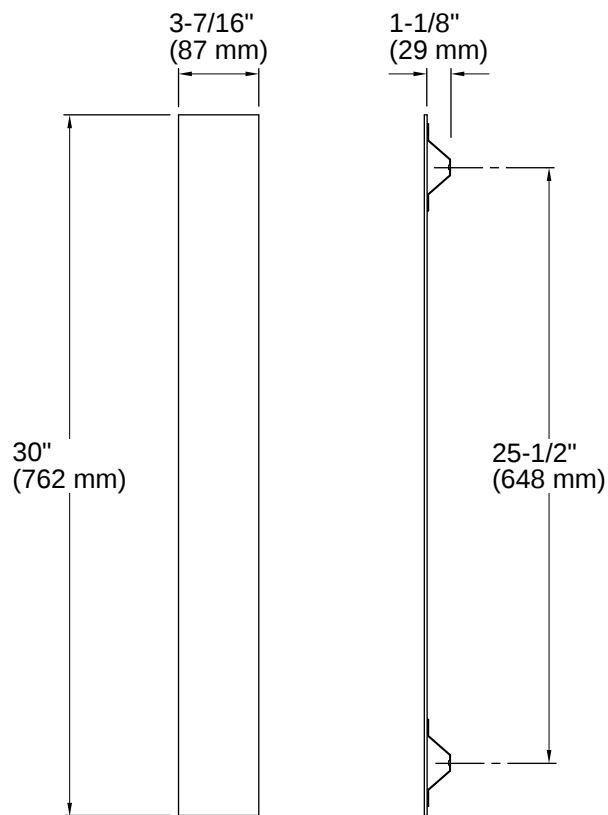


1-800-4KOHLER (1-800-456-4537)

Kohler Co. reserves the right to make revisions without notice to product specifications.

For the most current specification sheet, go to [www.kohler.com](http://www.kohler.com) USA or [www.kohler.ca](http://www.kohler.ca) Canada.

4-15-2026 4:54 - US-CA



## Installation Notes

*Install this product according to the installation instructions.*

