



Verdera® | K-99009

34" x 30" two-door medicine cabinet

Features

- Vertically adjustable 3x magnifying mirror on inside of door
- Three adjustable tempered-glass shelves
- Double doors with full-overlay mirrors
- Mirrored interior
- Soft-close doors prevent slamming
- Two-way adjustable hinges with 108° opening capability for easy cabinet access



Available Colors/Finishes

Color tiles intended for reference only.

^{NA} NA Not Applicable



1-800-4KOHLER (1-800-456-4537)
Kohler Co. reserves the right to make revisions without notice to product specifications.
For the most current specification sheet, go to www.kohler.com USA or www.kohler.ca Canada.
4-15-2026 4:54 - US-CA

THE BOLD LOOK
OF **KOHLER**®

Codes/Standards

None Applicable

Technical Information

All product dimensions are nominal.

Mirror Type: Polished Edge

Cutout

Width: 33-1/8" (841 mm)

Height: 33-1/2" (851 mm)

Depth: 3-11/16" (94 mm)

Material

- Anodized aluminum construction with a durable rustproof and chip-resistant finish
-

Recommended Products/Accessories

K-23723 Faucet cleaner

Required Products/Accessories

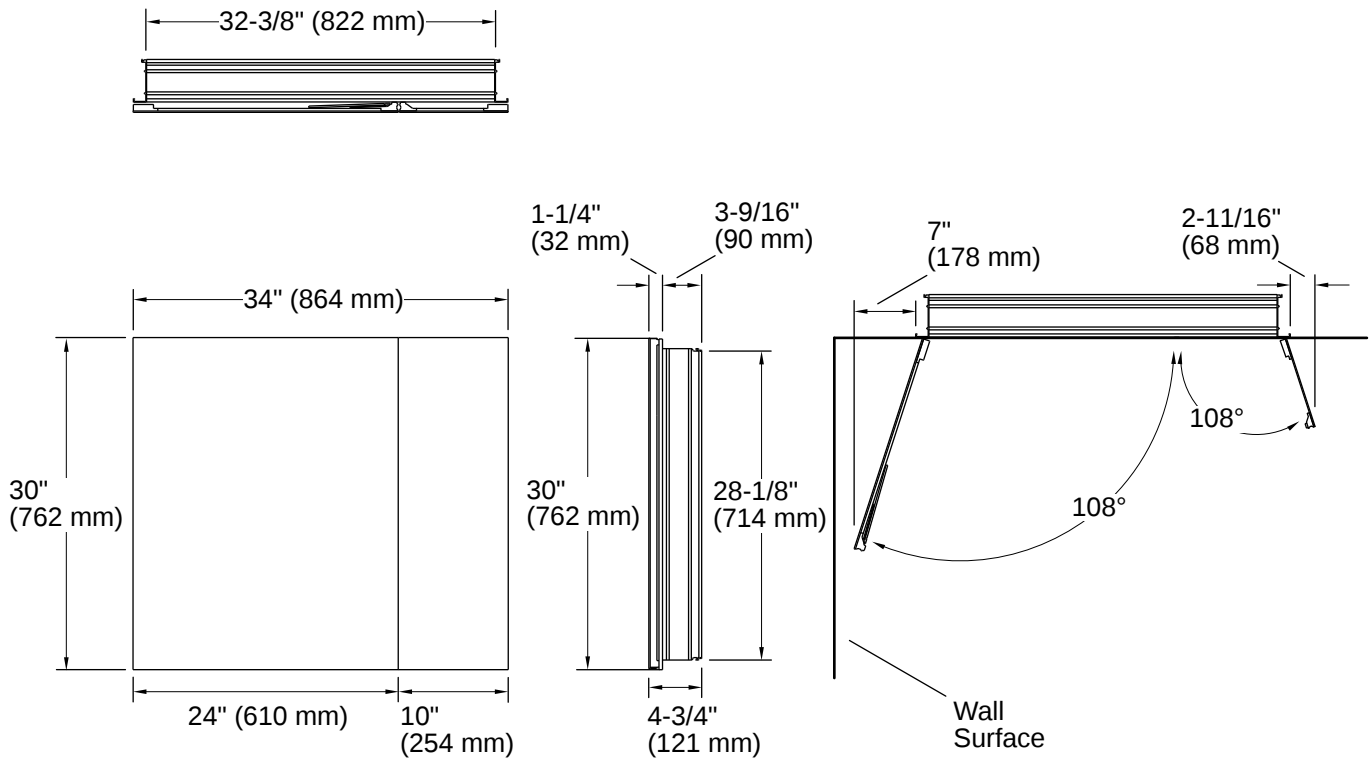
- K-99012 30" mirrored side kit for medicine cabinet
-

Warranty

See website for detailed warranty information.

KOHLER® One-Year Limited Warranty





Installation

- Can be installed with left- or right-hand swing
- Includes mounting hardware for surface or recessed installation
- Requires K-99012 or K-99675 side mirror kit (sold separately) for surface-mount installation

Installation Notes

Install this product according to the installation instructions.

Install this product according to the installation instructions. Install the cabinet a minimum of 3" (76 mm) above any obstructions (such as a faucet). For surface-mount, use anchors (not provided) rated for the loaded weight of this product. This cabinet is designed for either right or left door swing. Check for obstructions.

